

Please read before installing.



GENERAL

This transformer is to be installed in accordance with Article 450 of the National Electric Code. The transformer must be installed in a well ventilated area free from explosive gasses and vapors. Proper operation requires the free flow of air. Because this transformer is hardwired, installation should only be performed by a qualified electrician.

BEFORE INSTALLING

Check the label and ensure the transformer has the proper input voltage, output voltage and wattage for the job. Check the wire markings to ensure they match the wiring diagram shown (bottom-left) on this guide.

MOUNTING

Select a suitable location capable of supporting the weight of the transformer. Use the two keyholes in the transformer case. It is recommended that the transformer be mounted vertically with the wiring compartment pointing down. Maintain 6 inches between drivers.

INPUT CONNECTIONS / GROUNDING

Remove the wiring compartment knockouts and install strain reliefs. With power turned off, route the input wires through a strain relief and connect one wire to black and one wire to white. For all wire connections, use only UL listed wire nuts and connectors of suitable size and type. The transformer case **MUST** be grounded in accordance with the N.E.C. Connect the ground wire to the transformer green wire.

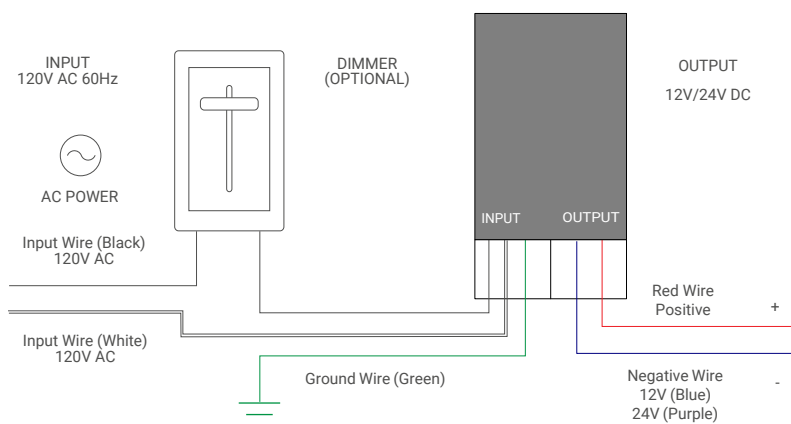
OUTPUT CONNECTIONS

Bring the wires of the light fixture through the other open knockout and connect them to the transformer output wires.

DIMMING

ONLY use a magnetic low-voltage or incandescent dimmer that is compatible with our E-Series LED transformers. See the “E-Series Dimming Guide” at the end of this document for more info.

WIRING DIAGRAM



STOP
Must have minimum load of 8 watts. Optimal operating range is 50-90% of driver wattage.

Class 2 power supply dimmable with standard MLV/Incandescent TRIAC (leading edge) dimmer switches. IP67 and Nema 3R rated. Auto-reset protection for short circuits, over voltage, and over temperature.

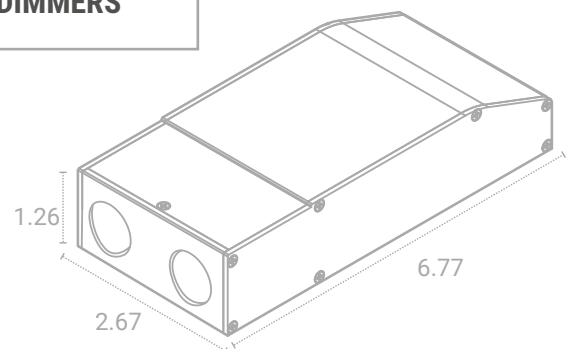
Job Name:

Type:



SPECIFICATIONS	NF-PS-E20L12V	NF-PS-E20L24V
Maximum Load		20W
Minimum Load		8W
Input Voltage		120V AC
Input Current at Max Load	0.2mA	270 mA
Output Voltage	12V DC	24V DC
Output Current at Max Load	1.7A	0.87A
Power Factor	0.95	0.95
Dimmability	MLV, Incandescent TRIAC (leading edge); see attached list	
Efficiency	≥90%	≥90%
Operating Temp.	-4°F - 158°F	
Short Circuit Protection	Yes	
Overcurrent	Yes	
Safety Standards	Class 2, UL 8750, IP67, Nema 3R	
Open Circuit Protection	Yes	
Input Wires (White \ Black)	14 AWG	
Output Wires (Red \ Black)	18 AWG	
Dimensions (L*W*H)	6.77" x 2.67" x 1.26"	
Weight	17 oz	

SEE ATTACHED LIST OF TESTED DIMMERS



Class 2 power supply dimmable with standard MLV/Incandescent TRIAC (leading edge) dimmer switches. IP67 and Nema 3R rated. Auto-reset protection for short circuits, over voltage, and over temperature.

Job Name:

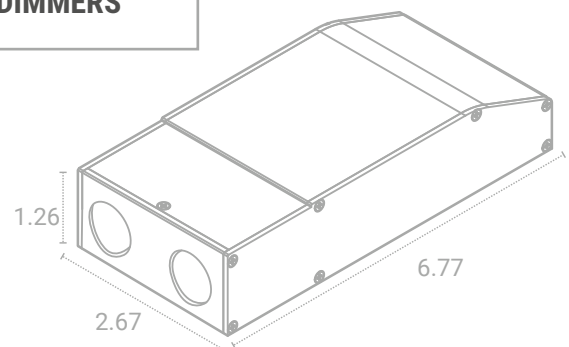
Type:



SPECIFICATIONS	NF-PS-E40L12V	NF-PS-E40L24V
Maximum Load		40W
Minimum Load		8W
Input Voltage		120V AC
Input Current at Max Load	0.2mA	270 mA
Output Voltage	12V DC	24V DC
Output Current at Max Load	1.7A	0.87A
Power Factor	0.95	0.95
Dimmability	MLV, Incandescent TRIAC (leading edge); see attached list	
Efficiency	≥90%	≥90%
Operating Temp.	-4°F - 158°F	
Short Circuit Protection	Yes	
Overcurrent	Yes	
Safety Standards	Class 2, UL 8750, IP67, Nema 3R	
Open Circuit Protection	Yes	
Input Wires (White \ Black)	14 AWG	
Output Wires (Red \ Black)	18 AWG	
Dimensions (L*W*H)	6.77" x 2.67" x 1.26"	
Weight	17 oz	



SEE ATTACHED LIST OF TESTED DIMMERS



Class 2 power supply dimmable with standard MLV/Incandescent TRIAC (leading edge) dimmer switches. IP67 and Nema 3R rated. Auto-reset protection for short circuits, over voltage, and over temperature.

Job Name:

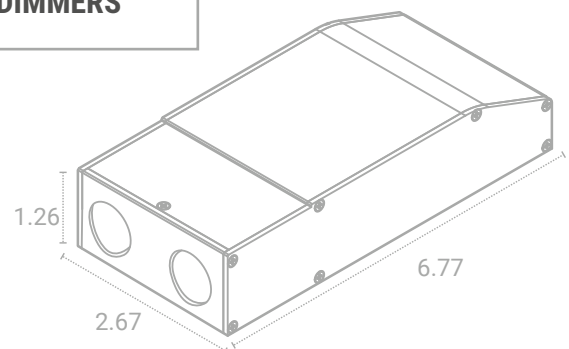
Type:



SPECIFICATIONS	NF-PS-E60L12V	NF-PS-E60L24V
Maximum Load		20W
Minimum Load		8W
Input Voltage		120V AC
Input Current at Max Load	0.2mA	270 mA
Output Voltage	12V DC	24V DC
Output Current at Max Load	1.7A	0.87A
Power Factor	0.95	0.95
Dimmability	MLV, Incandescent TRIAC (leading edge); see attached list	
Efficiency	≥90%	≥90%
Operating Temp.	-4°F - 158°F	
Short Circuit Protection	Yes	
Overcurrent	Yes	
Safety Standards	Class 2, UL 8750, IP67, Nema 3R	
Open Circuit Protection	Yes	
Input Wires (White \ Black)	14 AWG	
Output Wires (Red \ Black)	18 AWG	
Dimensions (L*W*H)	6.77" x 2.67" x 1.26"	
Weight	17 oz	



SEE ATTACHED LIST OF TESTED DIMMERS



Class 2 power supply dimmable with standard MLV/Incandescent TRIAC (leading edge) dimmer switches. IP67 and Nema 3R rated. Auto-reset protection for short circuits, over voltage, and over temperature.

Job Name:

Type:

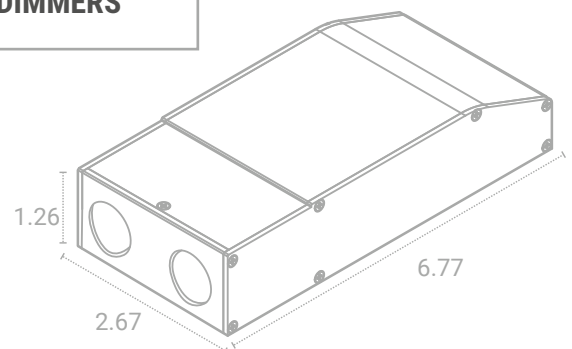


SPECIFICATIONS

NF-PS-E75L24V

Maximum Load	75W
Minimum Load	8W
Input Voltage	120V AC
Input Current at Max Load	270 mA
Output Voltage	24V DC
Output Current at Max Load	0.87A
Power Factor	0.95
Dimmability	MLV, Incandescent TRIAC (leading edge); see attached list
Efficiency	≥90%
Operating Temp.	-4°F - 158°F
Short Circuit Protection	Yes
Overcurrent	Yes
Safety Standards	Class 2, UL 8750, IP67, Nema 3R
Open Circuit Protection	Yes
Input Wires (White \ Black)	14 AWG
Output Wires (Red \ Black)	18 AWG
Dimensions (L*W*H)	6.77" x 2.67" x 1.26"
Weight	17 oz

SEE ATTACHED LIST OF TESTED DIMMERS



Class 2 power supply dimmable with standard MLV/Incandescent TRIAC (leading edge) dimmer switches. IP67 and Nema 3R rated. Auto-reset protection for short circuits, over voltage, and over temperature.

Job Name:

Type:

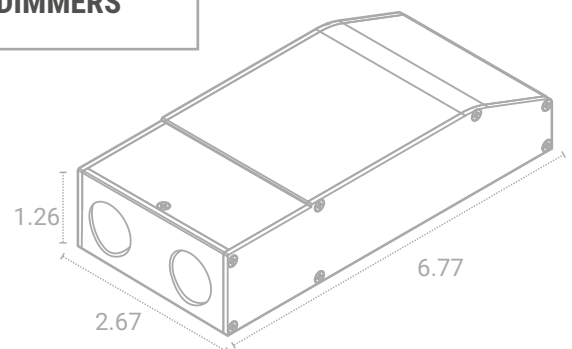


SPECIFICATIONS

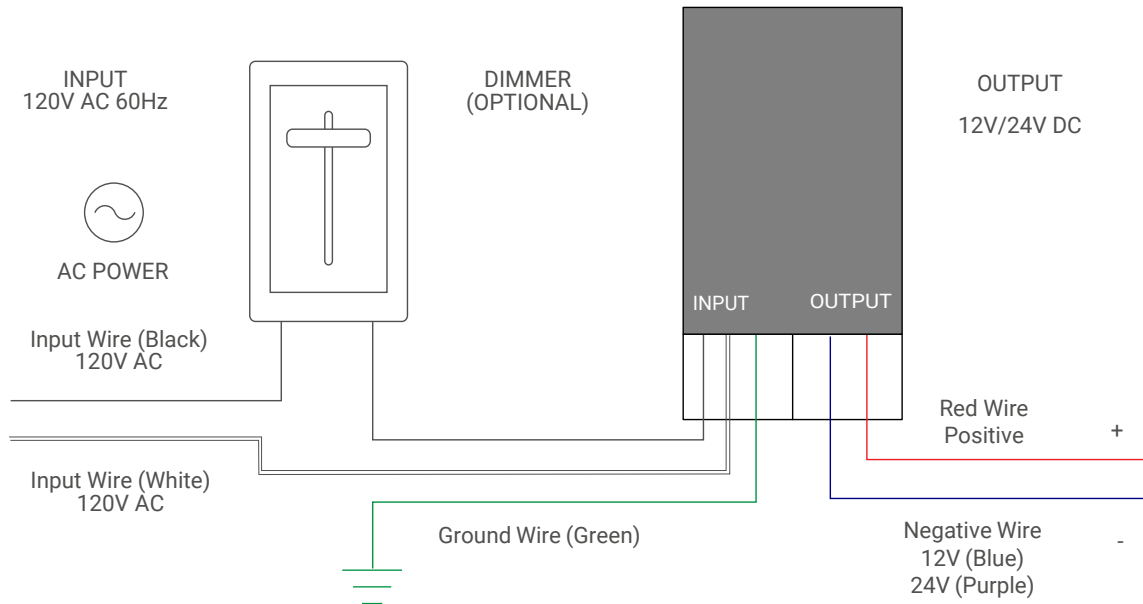
NF-PS-E96L24V

Maximum Load	96W
Minimum Load	8W
Input Voltage	120V AC
Input Current at Max Load	270 mA
Output Voltage	24V DC
Output Current at Max Load	0.87A
Power Factor	0.95
Dimmability	MLV, Incandescent TRIAC (leading edge); see attached list
Efficiency	≥90%
Operating Temp.	-4°F - 158°F
Short Circuit Protection	Yes
Overcurrent	Yes
Safety Standards	Class 2, UL 8750, IP67, Nema 3R
Open Circuit Protection	Yes
Input Wires (White \ Black)	14 AWG
Output Wires (Red \ Black)	18 AWG
Dimensions (L*W*H)	6.77" x 2.67" x 1.26"
Weight	17 oz

SEE ATTACHED LIST OF TESTED DIMMERS



WIRING DIAGRAM



DIMMERS

E-Series power supplies are dimmable with standard Magnetic Low Voltage (MLV) / Incandescent TRIAC (leading edge) dimmers. The models listed below have been tested with our lights.

LUTRON

MAGNETIC LOW VOLTAGE

DIVA	DVLV-603P-S	SC-3PSNL	NT-4PS-S	NTLV-600-S	SLV-600P
DVLV-10P	DVLV-603V	SC-4PS	NTLV-1000	NTLV-603P	SLV-600P-CSA
DVLV-10P-CSA	DVSCLV-103P	SC-4PS	NTLV-1000-S	NTLV-603P-CSA	SLV-600PH-CSA
DVLV-10PH-S	DVSCLV-103P-L	SC-4PSNL	NTLV-1003P	NTLV-603P-S	SLV-603P
DVLV-10P-S	DVSCLV-10P		NTLV-1003P-CSA		SLV-603P-CSA
DVLV-103P	DVSCLV-10P-L	NOVA	NTLV-1003P-S	NOVA T	SLV-603PH-CSA
DVLV-103P-CSA	DVSCLV-600P	NT-1PS	NTLV-1500	NTLV-600	
DVLV-103PH-S	DVSCLV-603P	NT-1PS-CSA	NTLV-1500-S	NTLV-600-277	
DVLV-103P-S	DVSCLV-603P-L	NT-1PS-S	NTLV-1503P	NTLV-1500	
DVLV-600P	SC-1PS	NT-3PS	NTLV-1503P-CSA	NTLV-1000	
DVLV-600P	SC-1PS	NT-3PS-CSA	NTLV-1503P-S	NTLV-1000-277	
DVLV-603P	SC-1PSNL	NT-3PS-S	NTLV-2003P		
DVLV-603P-CSA	SC-3P	NT-4PS	NTLV-2003P-S	SKYLARK	
DVLV-603PH-S	SC-3PS	NT-4PS-CSA	NTLV-600	S-600P	

INCANDESCENT

DIVA	DVCL-153P	DVSC-603P	NOVA	N-1500	SKYLARK	S-600P
DV-10P	DVCL-153PH	DVSCCL-153P	N-600	N-1503P	S-10P	S-600PNL
DV-103P	DVCL-253P	DVSCCL-253P	N-603P	N-2000	S-10PNL	S-603P
DV-600P	DVSC-10P		N-1000	N-2003P	S-103P	S-603PNL
DV-603P	DVSC-103P		N-1003P		S-103PNL	