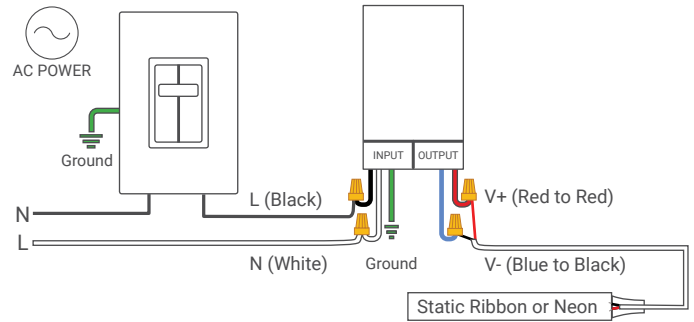


# MLV DIMMABLE E-SERIES

MLV Dimming Switch required.

**NOVA**FLEX<sup>®</sup>



Product Code	Wattage	Input Current	Output Current
NF-PS-E20L24	20W	0.20A	0.87A
NF-PS-E40L24	40W	0.41A	1.75A
NF-PS-E60L24	60W	0.61A	2.63A
NF-PS-E75L24	75W	0.77A	3.30A
NF-PS-E96L24	96W	1.00A	4.00A

## Input

Voltage Range	120 VAC
Efficiency	> 90%
Power Factor	0.95

## Output

Voltage	24 VDC
Minimum Load	8W
Optimum Load Range	50 - 80%

## Protection: Auto Reset

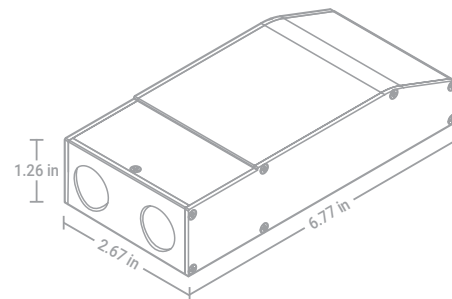
Over Voltage	Yes
Over Temperature	Yes
Short Circuit	Yes
Warranty	2 - 5 years (based on warranty of ribbon/neon purchased)

## Environment

Protection Rating	UL Listed UL 8750, Class 2 IP67, Nema 3R
Operating Temp	-22° to 122° F (-30° to 50° C)

## Physical

Weight	9 oz
--------	------



FOR MORE  
INFORMATION  
CLICK HERE

PROJECT SUPPORT

INSTALLATION GUIDES

WHY NOVA FLEX

RESOURCES

# DIMMING CONTROLS

**NOVA**<sup>®</sup>FLEX<sup>®</sup>

E-Series Drivers are dimmable with standard Magnetic Low Voltage (MLV) / Incandescent TRIAC (leading edge) dimmers. The models listed below have been tested with our lights.

## LUTRON

### MAGNETIC LOW VOLTAGE

#### VIZIA

VPM06-1LZ

#### ARIADNI

AYLV-600P

#### CASETA

PD-WCL

PD-10NXD

#### NOVA

N-100

N-600

NTLV-600

#### ROTARY

D-600

RADIORA2

RRD-6ND

#### SKYLARK

CTCL-153PD

S-600

SLV-600P

#### TOGGLER

TGCL-153PH

#### VAREO

V-600

#### DIVA

DV-600P

DVLV-600P

MAESTRO

MA-1000

MA-600

## LEVITON

### MAGNETIC LOW VOLTAGE

#### SURESLIDE

6633-PLW

FOR MORE  
INFORMATION  
CLICK HERE 

PROJECT SUPPORT

INSTALLATION GUIDES

WHY NOVA FLEX

RESOURCES

\*No minimum load required.

Specifications are subject to change without notice.

800.595.6302 [novaflexled.com](http://novaflexled.com)