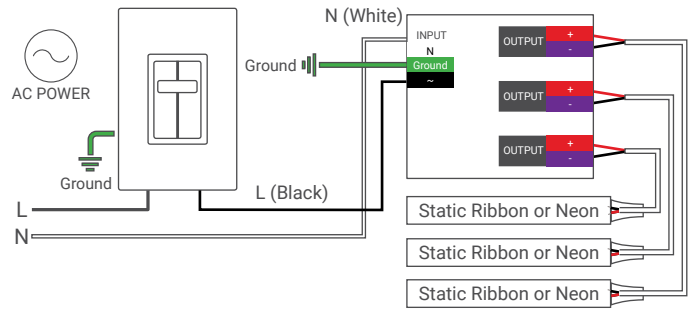


EZJ MULTI-CHANNEL DRIVER

Dimming Switch required.

NOVA FLEX[®]



Product Code	Output Current
NF-PSEZJ192L24	2 x 96W
NF-PSEZJ288L24	3 x 96W

Input

Voltage Range	120 VAC
Current	1 A / Channel
Efficiency	> 90%
Power Factor	0.95
THD	< 20%

Output

Voltage	24 VDC
Current	4 A / Channel
Minimum Load	8W
Optimal Load Range	50 - 80%

Protection: Auto Reset

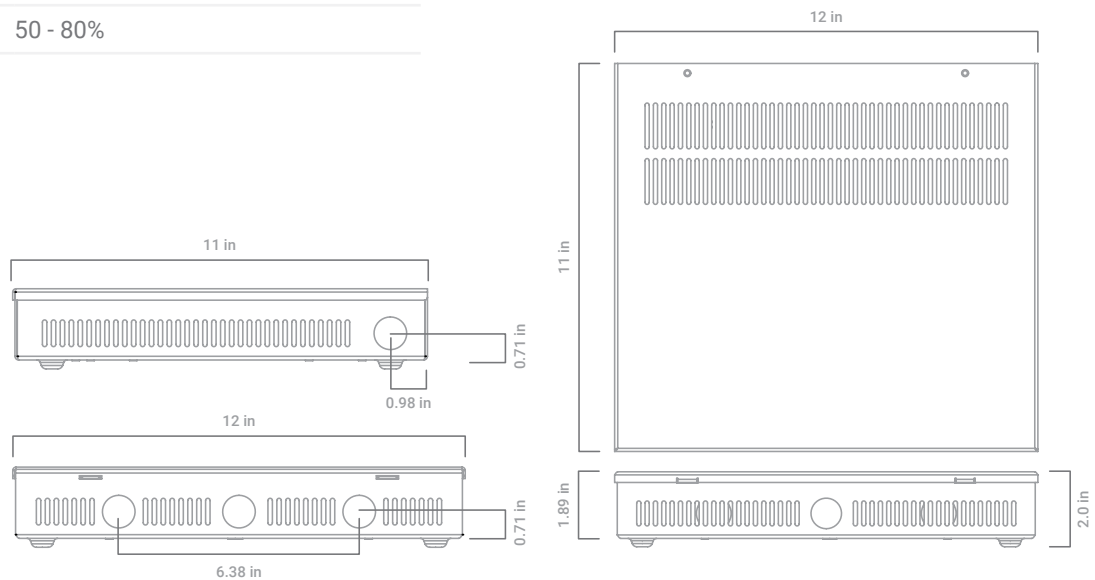
Over Voltage	Yes
Over Temperature	Yes
Short Circuit	Yes
Warranty	2 - 5 years (based on warranty of ribbon/neon purchased)

Environment

Protection Rating	UL Approved, Class 2, NEMA 3R
Operating Temp	-4° to 113° F (-20° to 45° C)

Physical

Weight	20.32 oz
--------	----------



DIMMING CONTROLS

NOVA[®]FLEX[®]

E-Series Drivers are dimmable with standard Magnetic Low Voltage (MLV) / Incandescent TRIAC (leading edge) dimmers. The models listed below have been tested with our lights.

LUTRON

MAGNETIC LOW VOLTAGE

VIZIA

VPM06-1LZ

ARIADNI

AYLV-600P

CASETA

PD-WCL

PD-10NXD

NOVA

N-100

N-600

NTLV-600

ROTARY

D-600

RADIORA2

RRD-6ND

SKYLARK

CTCL-153PD

S-600

SLV-600P

TOGGLER

TGCL-153PH

VAREO

V-600

DIVA

DV-600P

DVLV-600P

MAESTRO

MA-1000

MA-600

LEVITON

MAGNETIC LOW VOLTAGE

SURESLIDE

6633-PLW

FOR MORE IN-
FORMATION
CLICK HERE



PROJECT SUPPORT

INSTALLATION GUIDES

WHY NOVA FLEX

RESOURCES

*No minimum load required.

Specifications are subject to change without notice.

800.595.6302 novaflexled.com