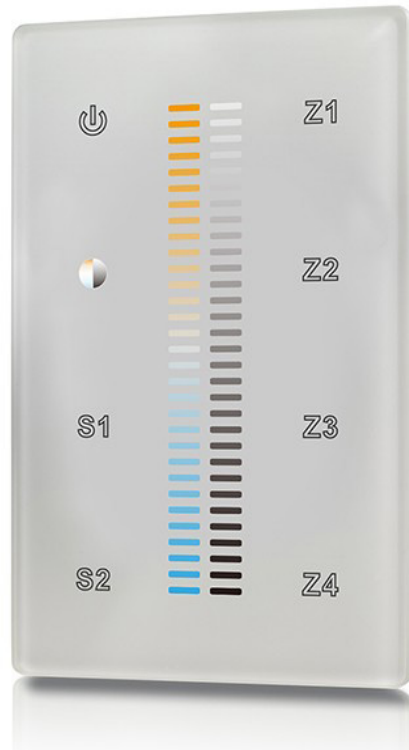


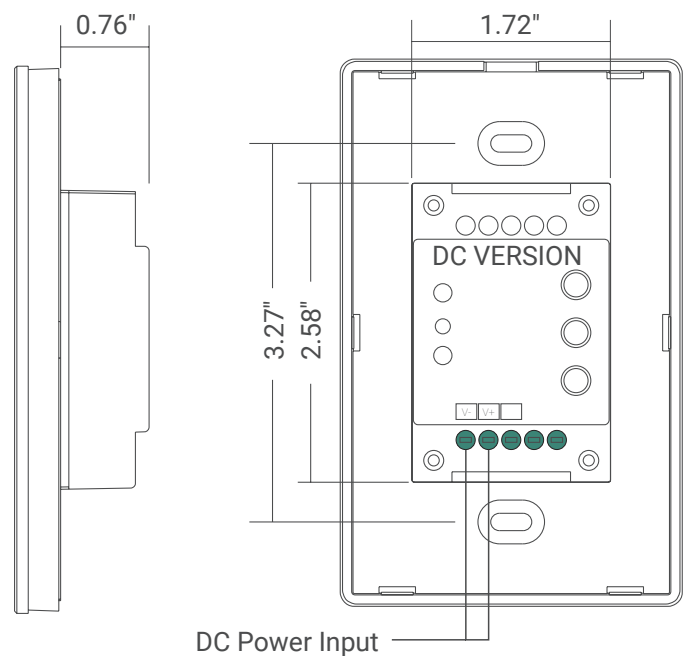
S3i TOUCH ADJUSTABLE DIMMER

The S3i Touch Adjustable Dimmer is a full glass touch panel which offers fast and accurate color temperature adjustment and independent dimming of each white. The CCT controller can adjust color temperature and brightness for natural white, warm white and cold white. Compatible with standard wall boxes.

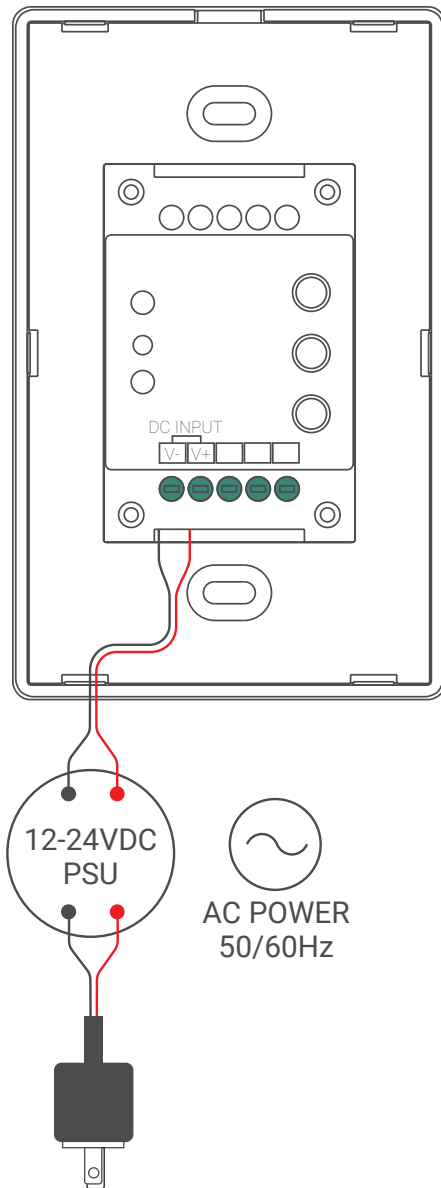


SPECIFICATIONS

Operating Voltage	12 - 24V DC
Power Consumption	200 mA
Operating Temp	-32° F to +104° F
Dimming Function	100% Down to 1%
Length	4.72" (120mm)
Width	2.95" (75mm)
Height	1.15" (29.1mm)
Requires S3i Receiver (NF-S3i-WR-1009)	



WIRING DIAGRAM



Safety & Warnings:

- DO NOT install with power applied to device.
- DO NOT expose the device to moisture.

OPERATION

Pair with RF receivers:

1. Turn on the wall panel controller.
2. Click "Learning Key" on RF receiver.
3. Click a zone number on the wall panel controller: Z1 - Z4
4. Touch the brightness slider.

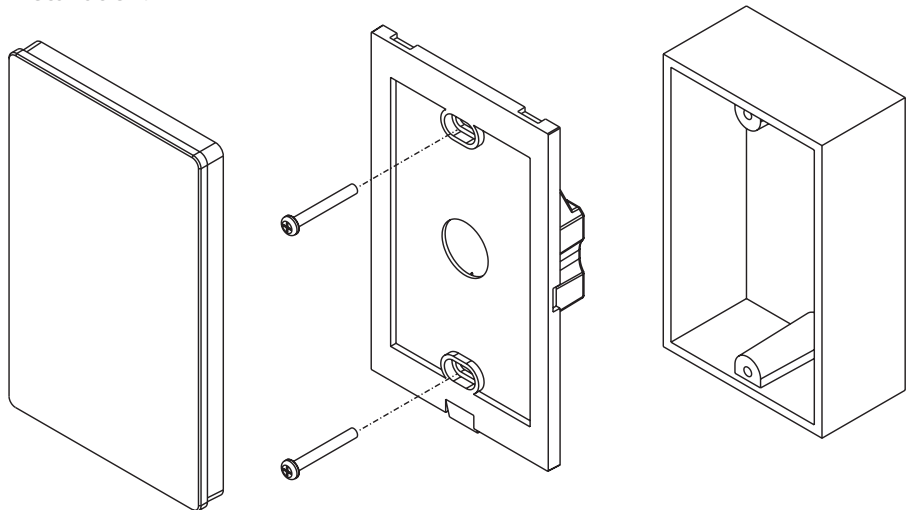
(LED Lights connected with the receiver will flicker once which means the receiver is paired with the wall remote controller)

For WiFi Functionality our WiFi RF Converter is required. (NF-S3i-WC-WIFI)


How to delete the pairing:

Press and hold down "Learning Key" on the receiver for over 3 seconds until connected LED lights flicker twice, which means the pairing is deleted successfully.

Installation:



S3i TOUCH ADJUSTABLE DIMMER

Dual color & brightness slider, click  to switch

