

S3i CONTROLLER RGBW TOUCH PANEL NOVA FLEX®

Product Code: NF-S3i-TP-RGBW

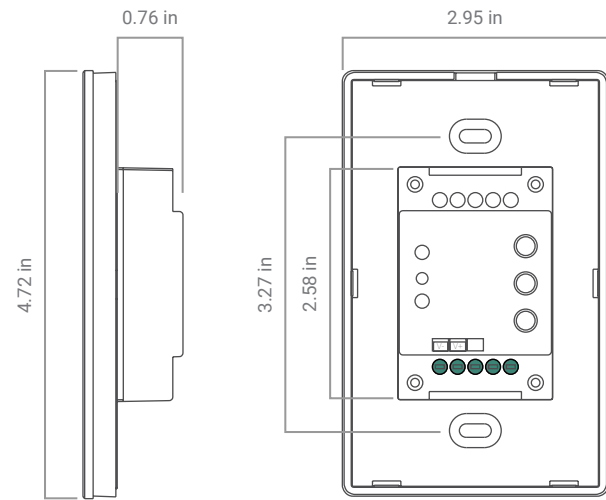
Features

- Controls 3 zones
- 65,000 color options
- 10 built in presets modes
- Touch sensitive glass surface
- Fits in standard US switch box
- Smart, simple, seamless integration
- Easily select 3 shades of white



Data	DC	AC
Output Signal	RF Signal	RF Signal
Power Supply	12 - 24VDC	100 - 240VAC
Power Consumption	20 mA	20 mA
Operating Temperature	32° - 104° F	32° - 104° F
Relative Humidity	8 - 80%	8 - 80%
Wireless Range	50 ft	50 ft

Dimensions



S3i WIRELESS RECEIVER

Product Code: NF-S3i-WR-1009

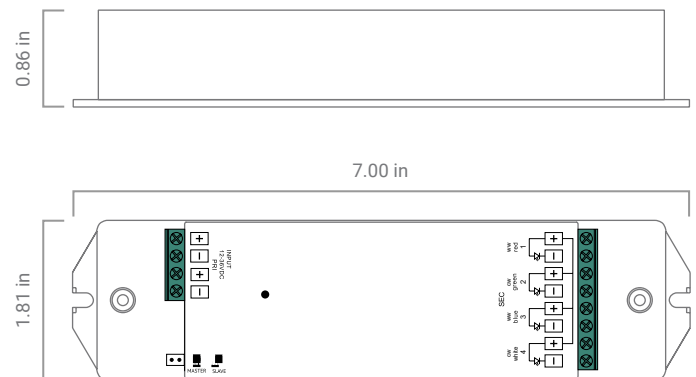
Use one receiver per zone, up to 6 zones depending on the controller selected. Pair with [NF-A-UNV](#) for large projects.



Data

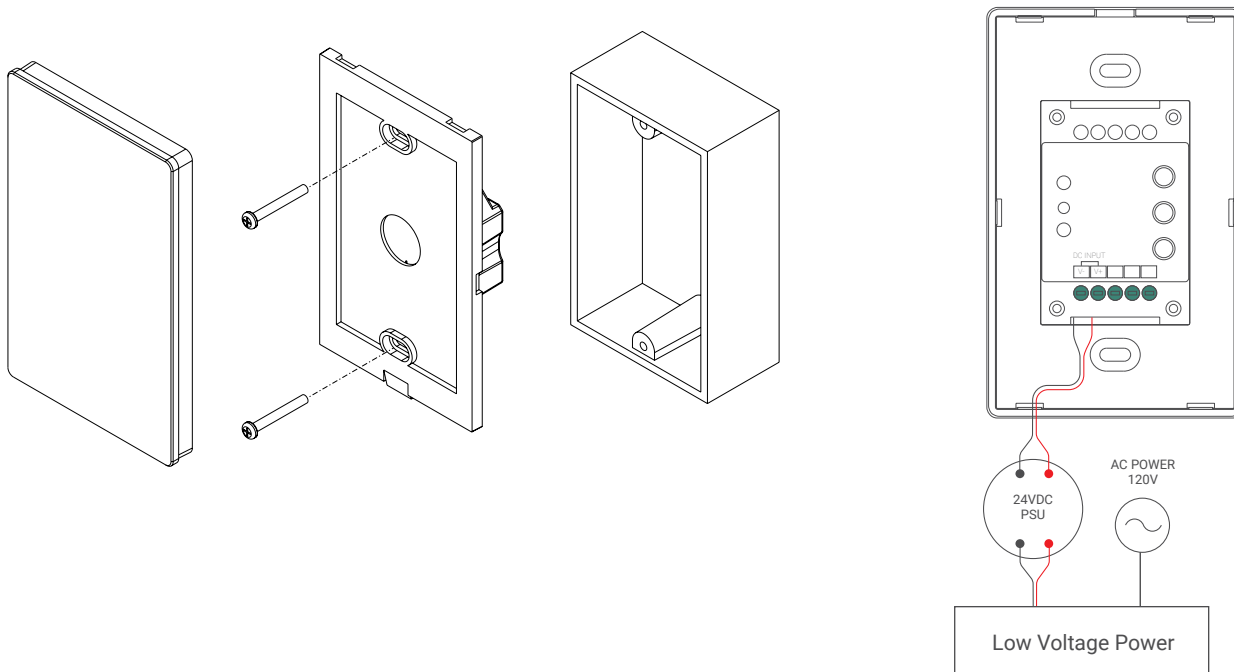
Input Voltage	12 - 36 VDC
Output Current	4 x 5 A
Output Power	240 - 720W

Dimensions

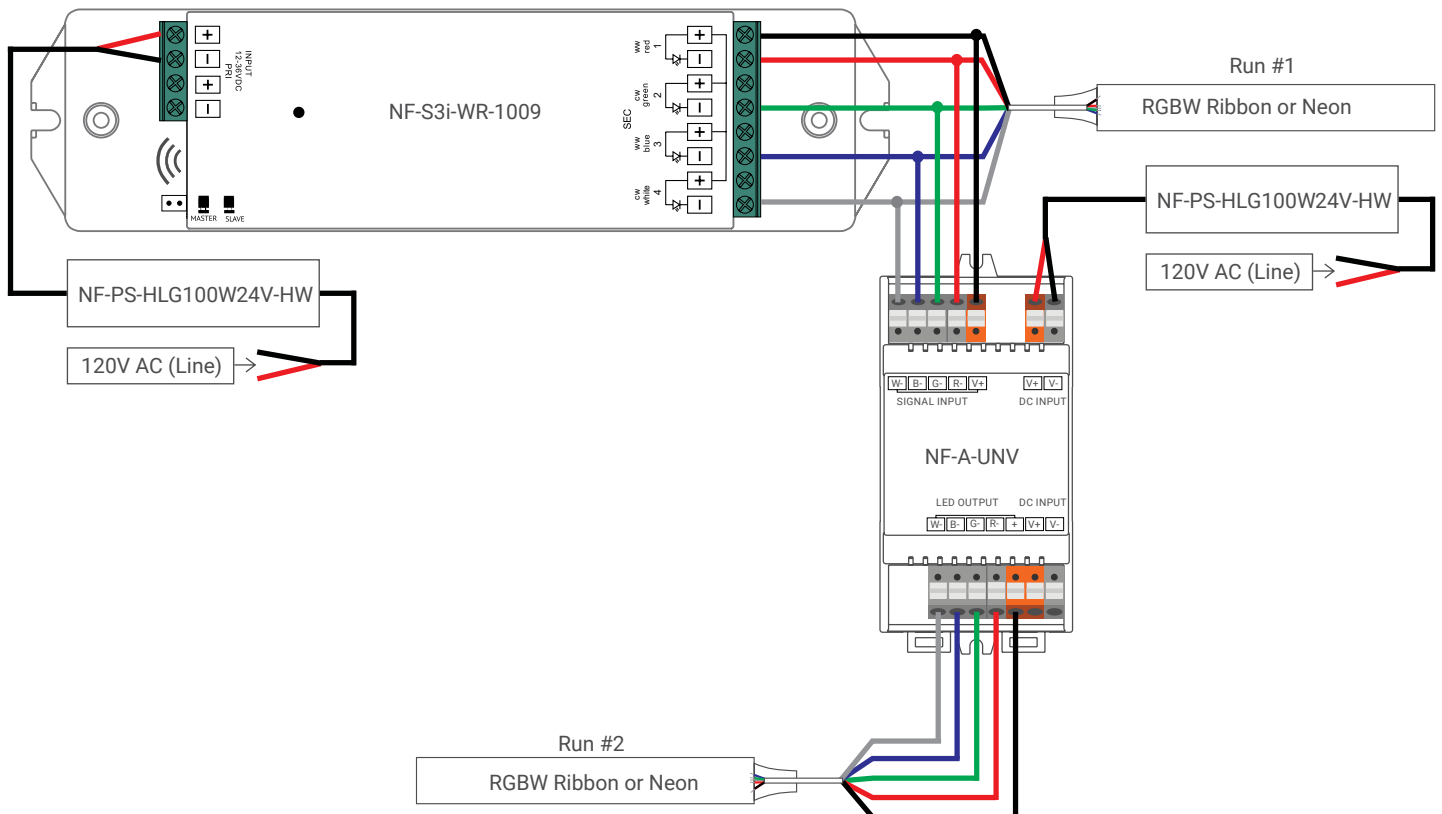


INSTALLATION S3i TOUCH PANEL RGBW

Installation



Wiring Diagram



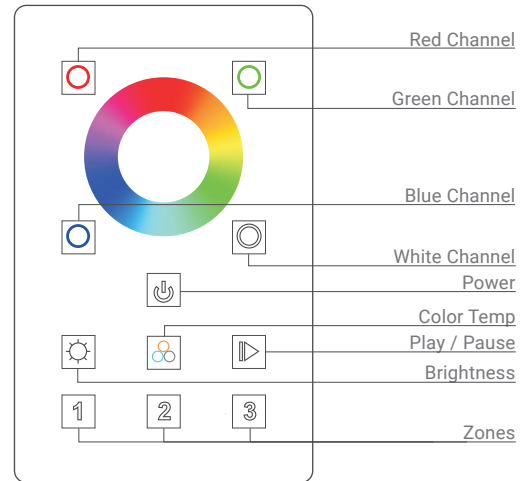
SET-UP S3i TOUCH PANEL RGBW

Operation

Turn on the Touch Panel (Indicator light will turn BLUE).

Click the Learning Key on the NF-S3i-WR-1009

Select your "ZONE" (# Z1-Z3) then play with color panel









Operation





Zones – 3 Zone

Select color of preference. Press and hold "ZONE" number for 3 seconds (lights should flash when stored successfully).


Color Change





RGBW - Adjust Color Wheel 

RGB – To Select only SOLID colors, press  OR  OR  OR  surrounding the Color Wheel (ON/OFF functions, will have to press color (RED/GREEN/BLUE/WHITE) again to turn OFF after turning ON). (I.E. Selecting  and  simultaneously will provide YELLOW)

To change to solely WHITE, change to SOLID MODE by Selecting (1) of the SOLID colors on the Touch Panel (, , ). Once the Touch Panel is in SOLID MODE, turn OFF ALL SOLID colors by selecting each color until the light goes OUT. Once the light is out, press the  surrounding the Color Wheel once to turn ON.

Brightness – RGB

Press and hold Sun  to adjust brightness (release button and press and hold again to go opposite direction).

When using MULTIPLE R/G/B/W SOLID colors, can adjust brightness by pressing and holding down each  OR  OR  OR  surrounding the Color Wheel. Press and hold to brighten each color (release and press and hold again to go opposite direction). Also works when mixing SOLID R/G/B/W colors!

FOR MORE
INFORMATION
CLICK HERE 

PROJECT SUPPORT

INSTALLATION GUIDES

WHY NOVA FLEX

RESOURCES