

# S3i WIRELESS RECEIVER

Product Code: NF-S3i-WR-1009

NOVA FLEX®

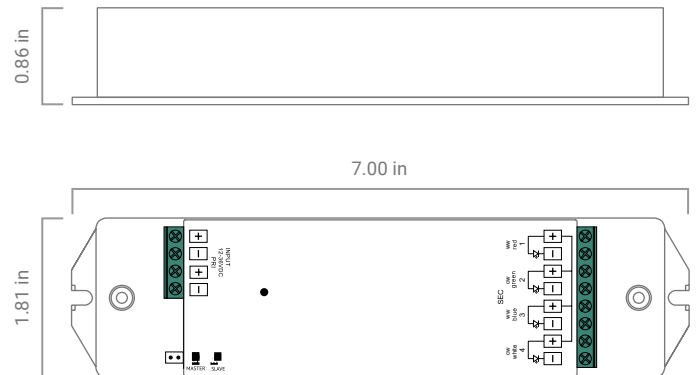
Use one receiver per zone, up to 6 zones depending on the controller selected. Pair with [NF-A-UNV](#) for large projects.



## Data

Input Voltage	12 - 36 VDC
Output Current	4 x 5 A
Output Power	240 - 720W

## Dimensions



## Pairing

**Pair** - Click the "Learning Key" button on top of the device once. Then follow the pairing instructions for your controller.

### Unpair ALL Remotes Option 1

Hold the "Learning Key" button on top of the device for about 4 seconds (lights should flash)

### Unpair ALL Remotes Option 2

(Lights ON) Unplug and Plug In receiver (5) times in a row (make sure when you plug in for those (5) times, the light comes on first before you unplug again)

## Operation

**Primary / Secondary** - Color Changing Synchronization throughout multiple NF-S3i-WC-1009 Receivers (ONLY "Play/Pause" Scenes can achieve)

Locate small BLACK CAP located on 2 pins sticking upward on the Power Side of the NF-S3i-WC-1009. This piece will set the PRIMARY. Relocate the CAP so that it covers BOTH Pins and Slide the CAP to the bottom. For the SECONDARY Receivers, Remove the CAP completely. Once the PRIMARY (ONLY ONE) and Secondary (as many ZONES as the Remote allows) are set, Power OFF and ON again the PRIMARY Receiver. This will set the Primary Function.

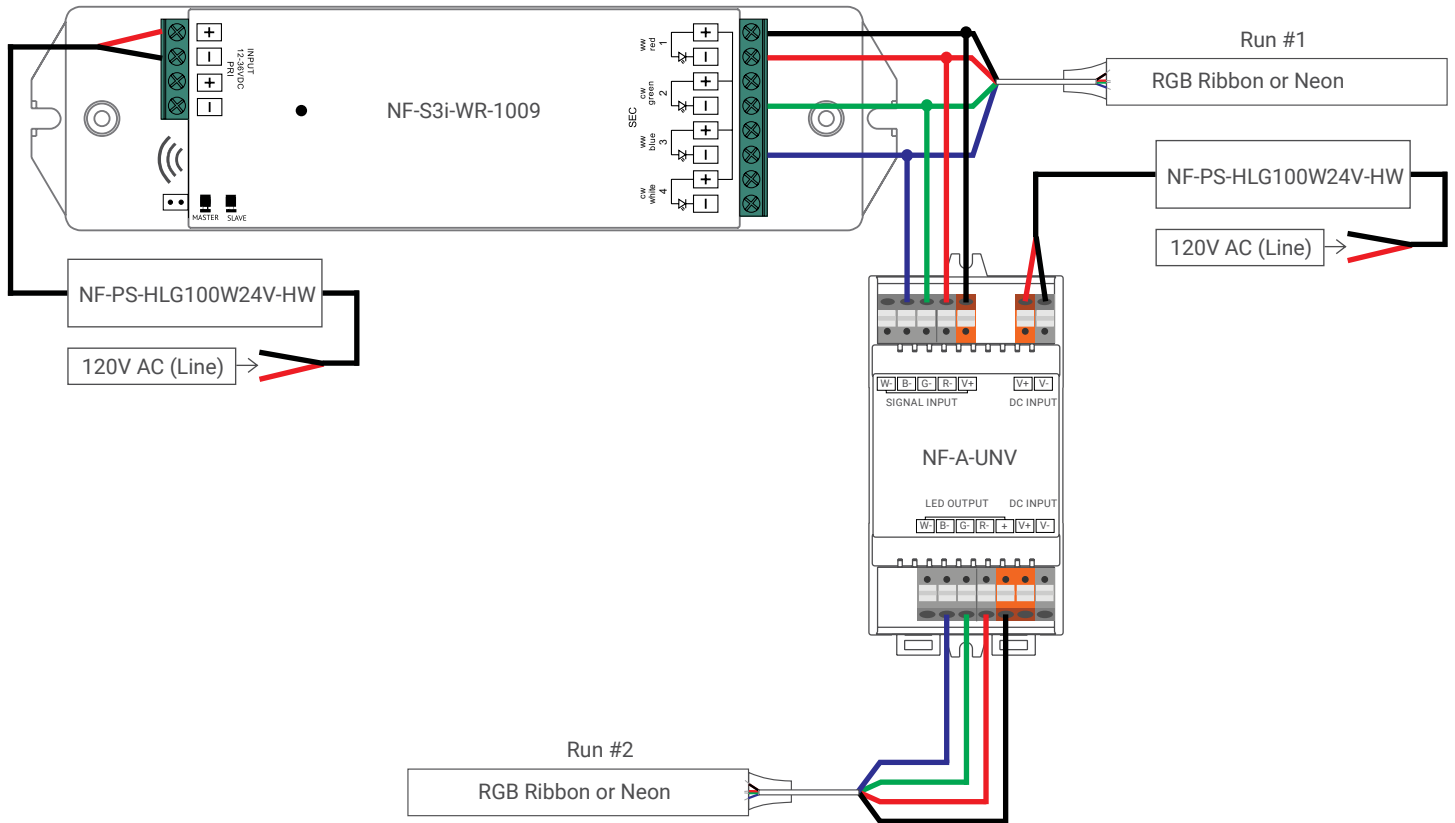
Once the PRIMARY and SECONDARY(s) are set, Select DIFFERENT ZONES for each Receiver to be Paired. Once ZONES are Paired, Select ZONE(s) and FIRST TURN OFF WHITE! Once WHITE is OFF, Select a Color Changing Scene and Set the preferred SPEED.

To test Synchronization, Power OFF (1) SECONDARY Run. After a few seconds, Power ON the SECONDARY Run. Wait 15 seconds for the signal to transfer.

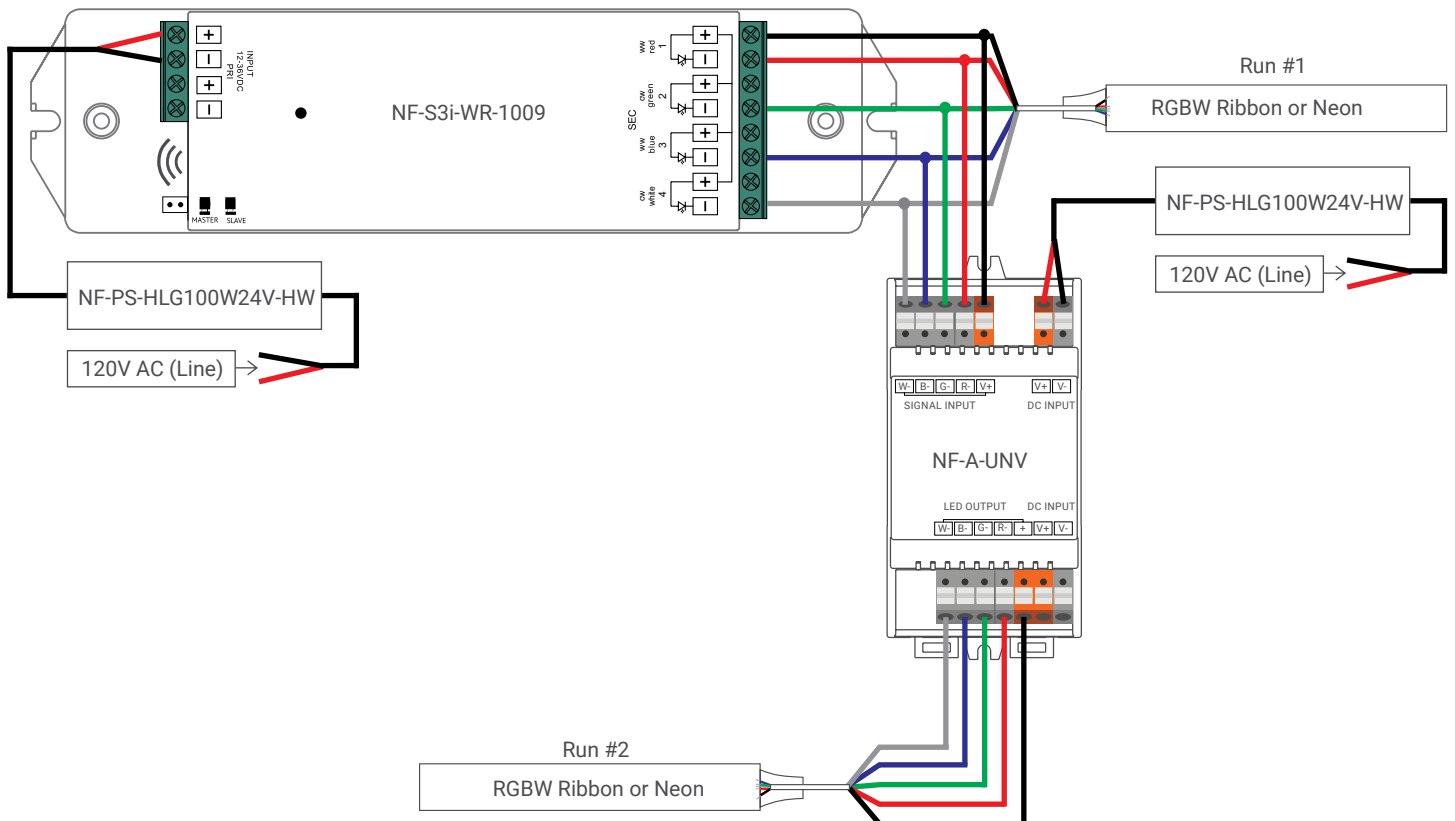


# WIRING S3i WIRELESS RECEIVER

## S3i RGB

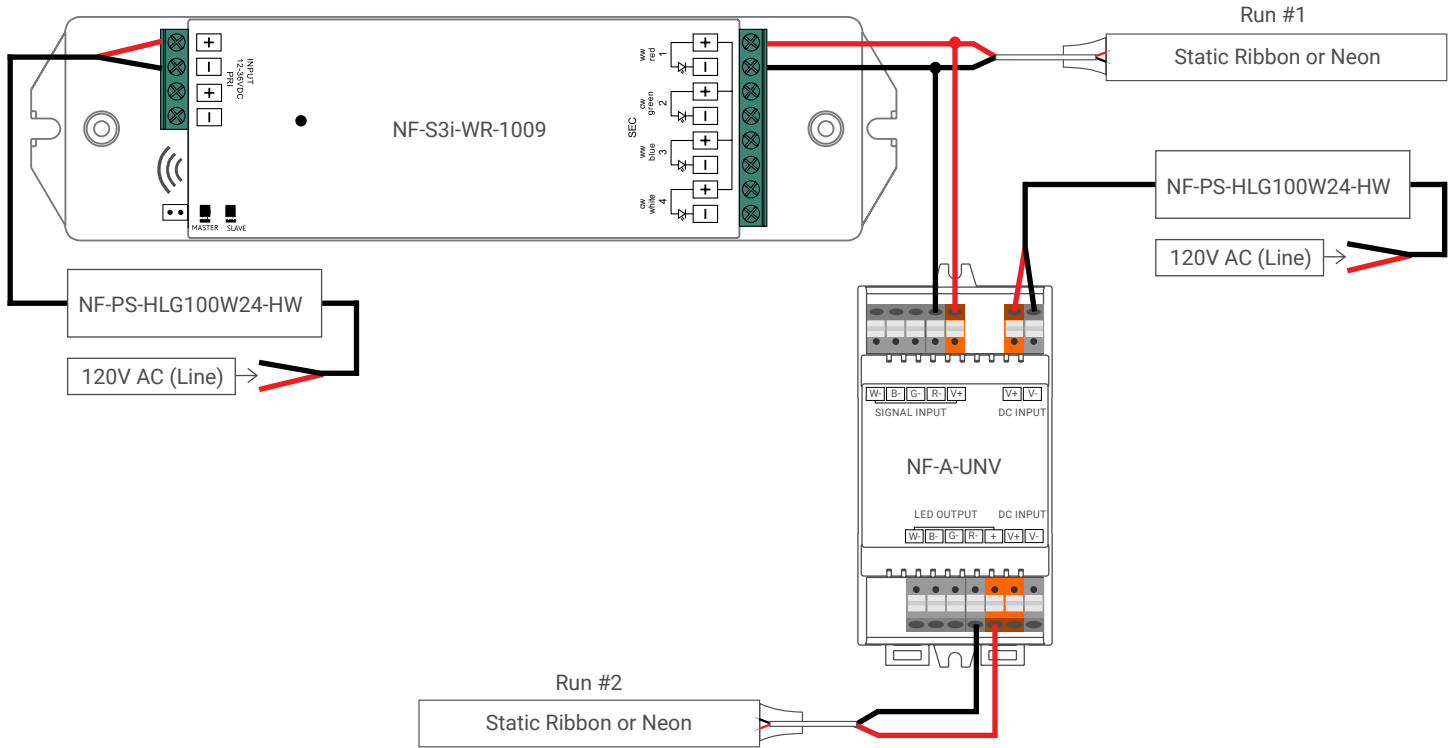


## S3i RGBW

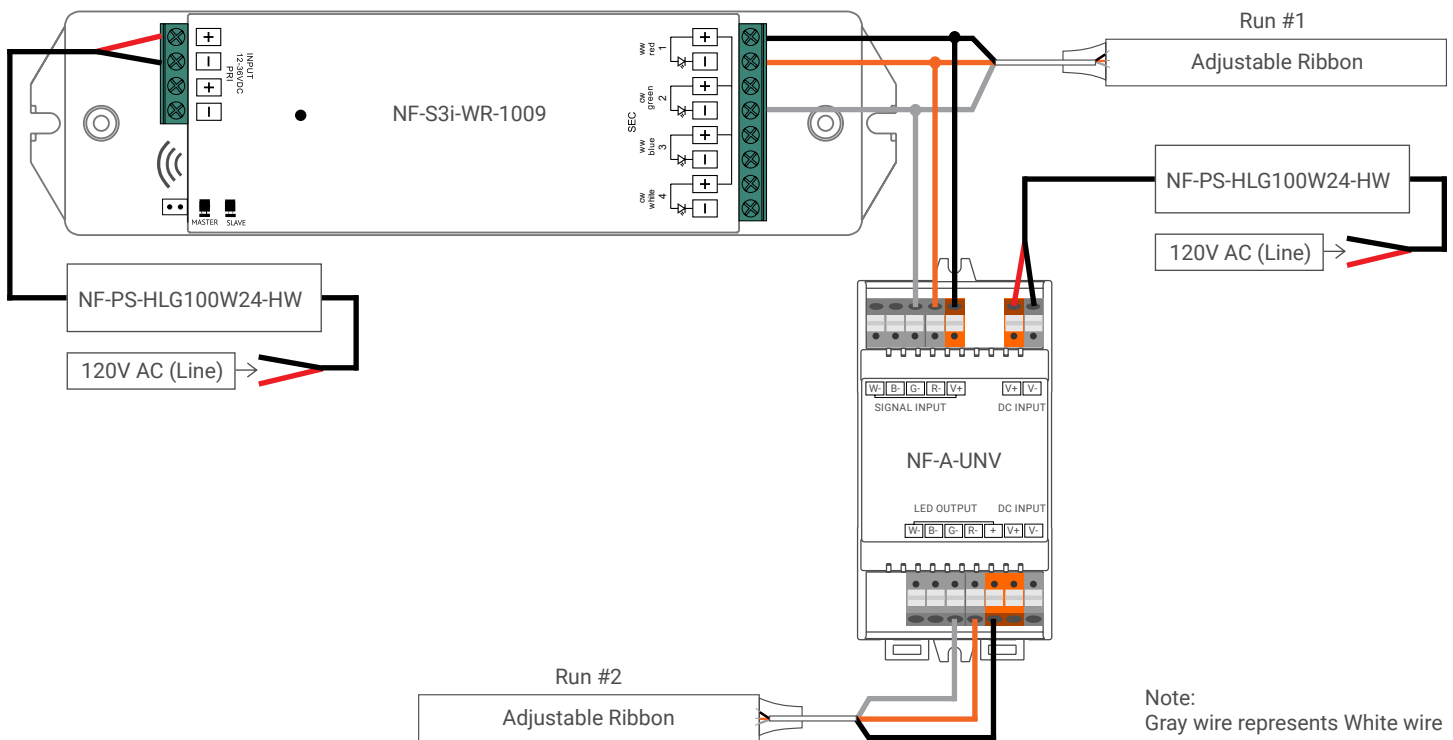


# WIRING S3i WIRELESS RECEIVER

## S3i Static



## S3i Adjustable



FOR MORE  
INFORMATION  
CLICK HERE

PROJECT SUPPORT

INSTALLATION GUIDES

WHY NOVA FLEX

RESOURCES