

S3i CONTROLLER WALL MOUNT ADJUSTABLE DIMMER

Product Code: NF-S3i-PB-AS

NOVA FLEX®

Features

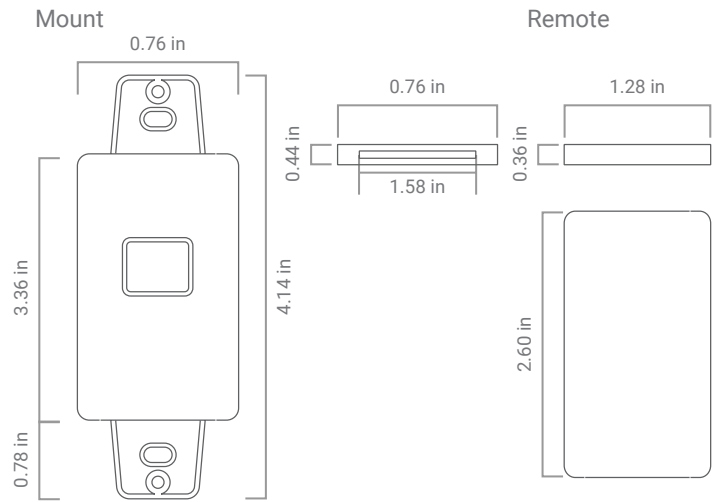
- Control Kelvin Temp
- Controls 1 zone
- Push Button
- Smart, simple, seamless integration



Data

Output Signal	RF Signal
Operation Frequency	916.5MHz
Power Supply	3V (CR2025 Battery)
Operating Temperature	32° - 86° F
Relative Humidity	8 - 80%
Wireless Range	50 ft

Dimensions



S3i WIRELESS RECEIVER

Product Code: NF-S3i-WR-1009

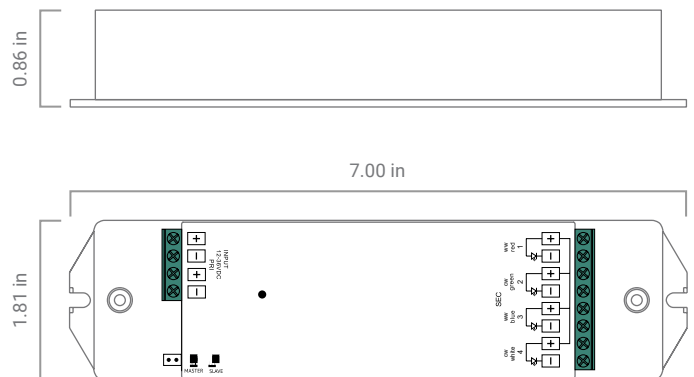
Use one receiver per zone, up to 6 zones depending on the controller selected. Pair with NF-A-UNV for large projects.



Data

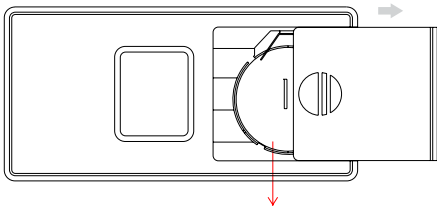
Input Voltage	12 - 36 VDC
Output Current	4 x 5 A
Output Power	240 - 720W

Dimensions

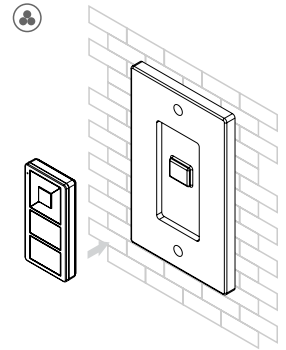
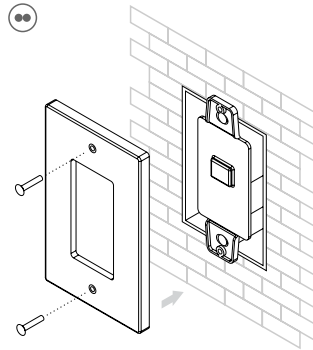
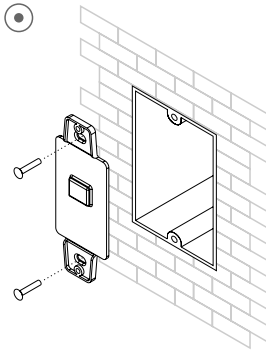


INSTALLATION WALL MOUNT ADJUSTABLE DIMMER

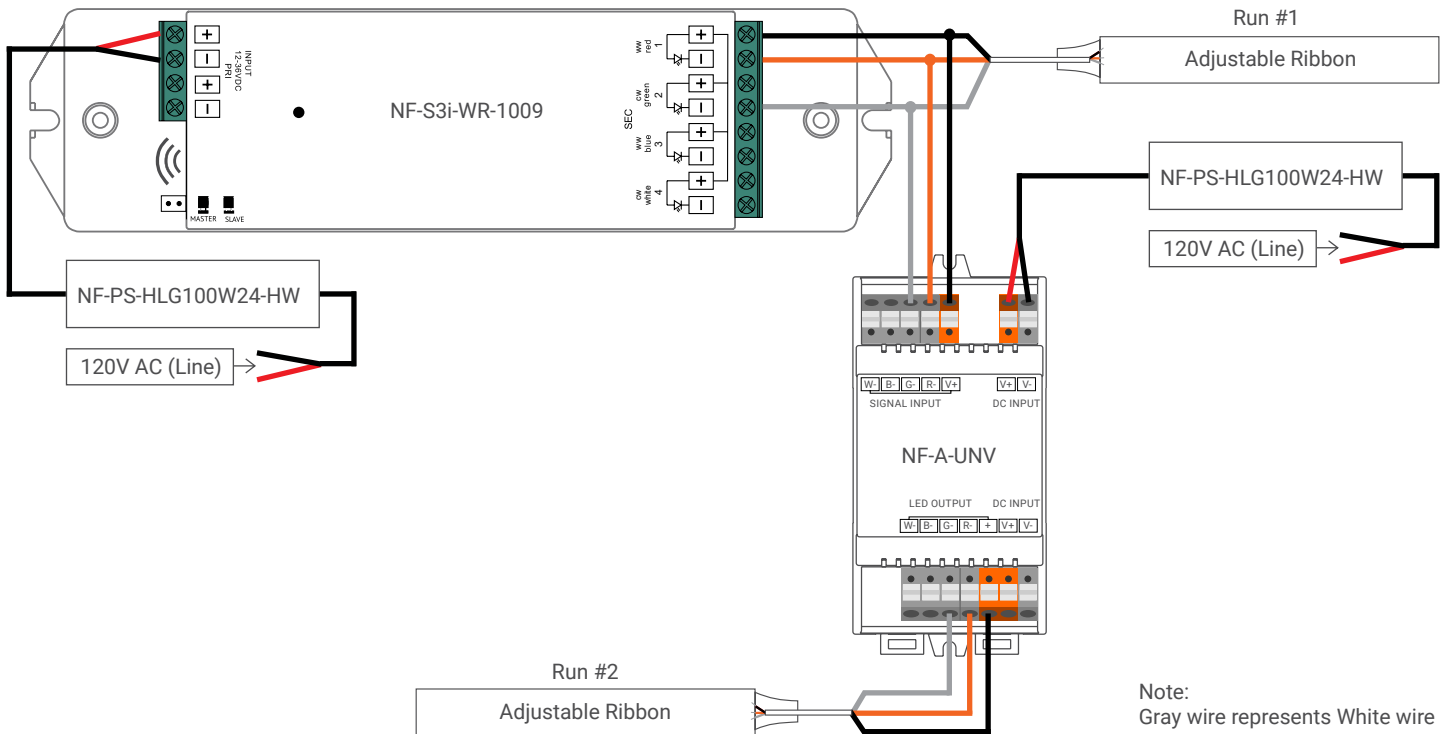
Installation



Note: Before the first use, please remove the protective film on the battery




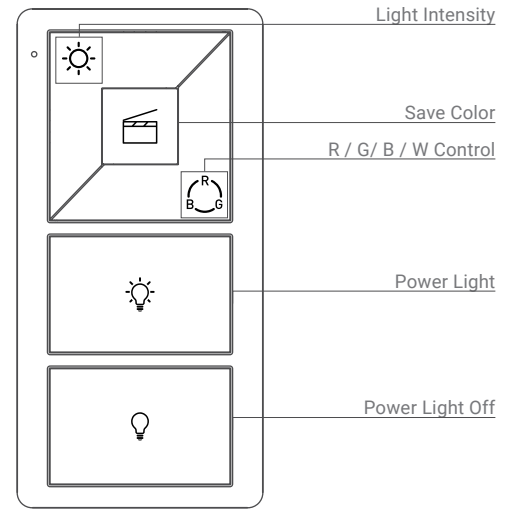
Wiring



SET-UP WALL MOUNT ADJUSTABLE DIMMER

Pairing

Remove plastic battery saver within the controller to operate.
Once NF-S3i-WR-1009 is discoverable, press the ON  button on controller (flash indicates pairing successful).




Operation

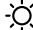
Scene - Up to (1) SCENE

Press and hold "SCENE BOARD" for 3 seconds (lights should flash when stored successfully).

Color Change

Press and hold C/W Cycle button  (top right) to change color (release button and press and hold again to go opposite direction).

Brightness

Press and hold sun  (top left) to adjust brightness (release button and press and hold again to go opposite direction).

FOR MORE
INFORMATION
CLICK HERE 

PROJECT SUPPORT

INSTALLATION GUIDES

WHY NOVA FLEX

RESOURCES