

S3i CONTROLLER WALL MOUNT STATIC DIMMER

Product Code: NF-S3i-PB-D

NOVA FLEX®

Features

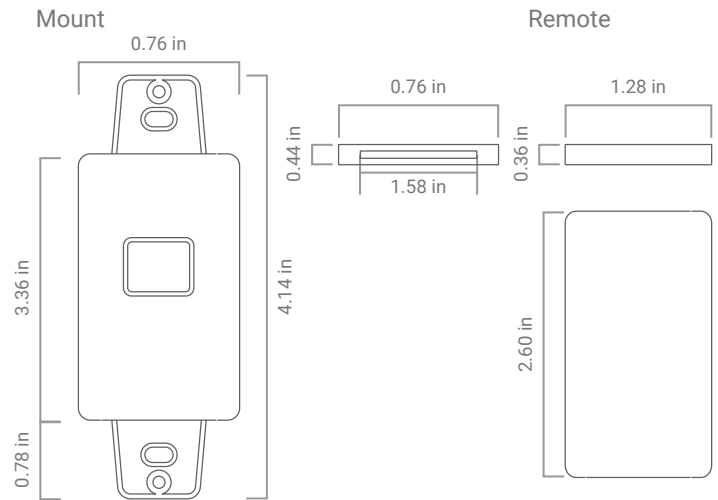
- Single color control
- Controls 1 zone
- Push Button
- Smart, simple, seamless integration



Data

Output Signal	RF Signal
Operation Frequency	916.5MHz
Power Supply	3V (CR2025 Battery)
Operating Temperature	32° - 86° F
Relative Humidity	8 - 80%
Wireless Range	50 ft

Dimensions



S3i WIRELESS RECEIVER

Product Code: NF-S3i-WR-1009

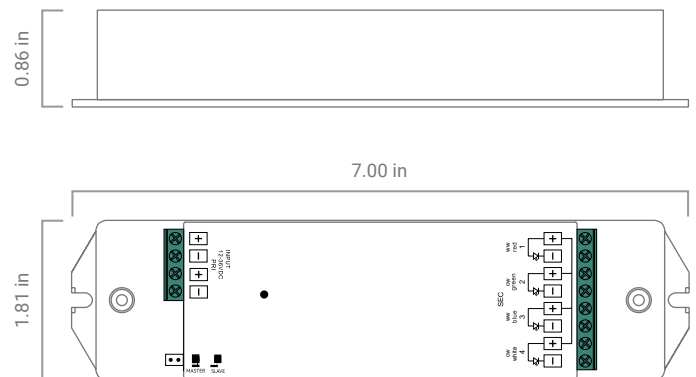
Use one receiver per zone, up to 6 zones depending on the controller selected. Pair with [NF-A-UNV](#) for large projects.



Data

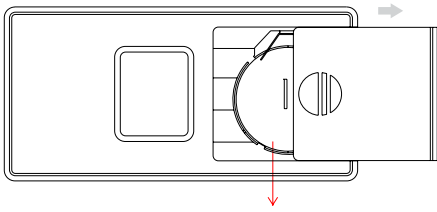
Input Voltage	12 - 36 VDC
Output Current	4 x 5 A
Output Power	240 - 720W

Dimensions

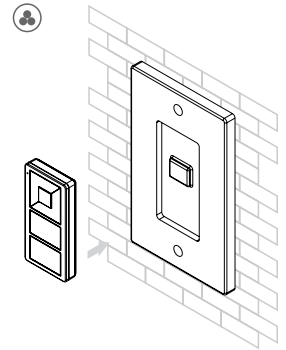
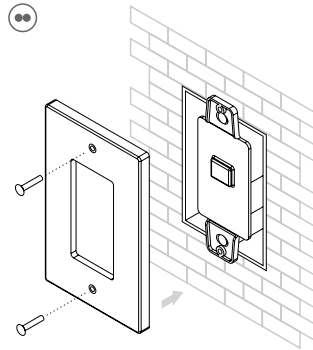
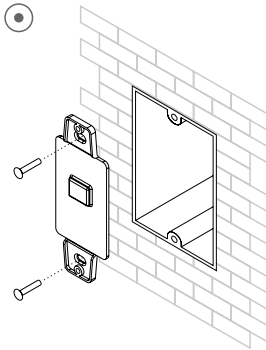


INSTALLATION WALL MOUNT STATIC DIMMER

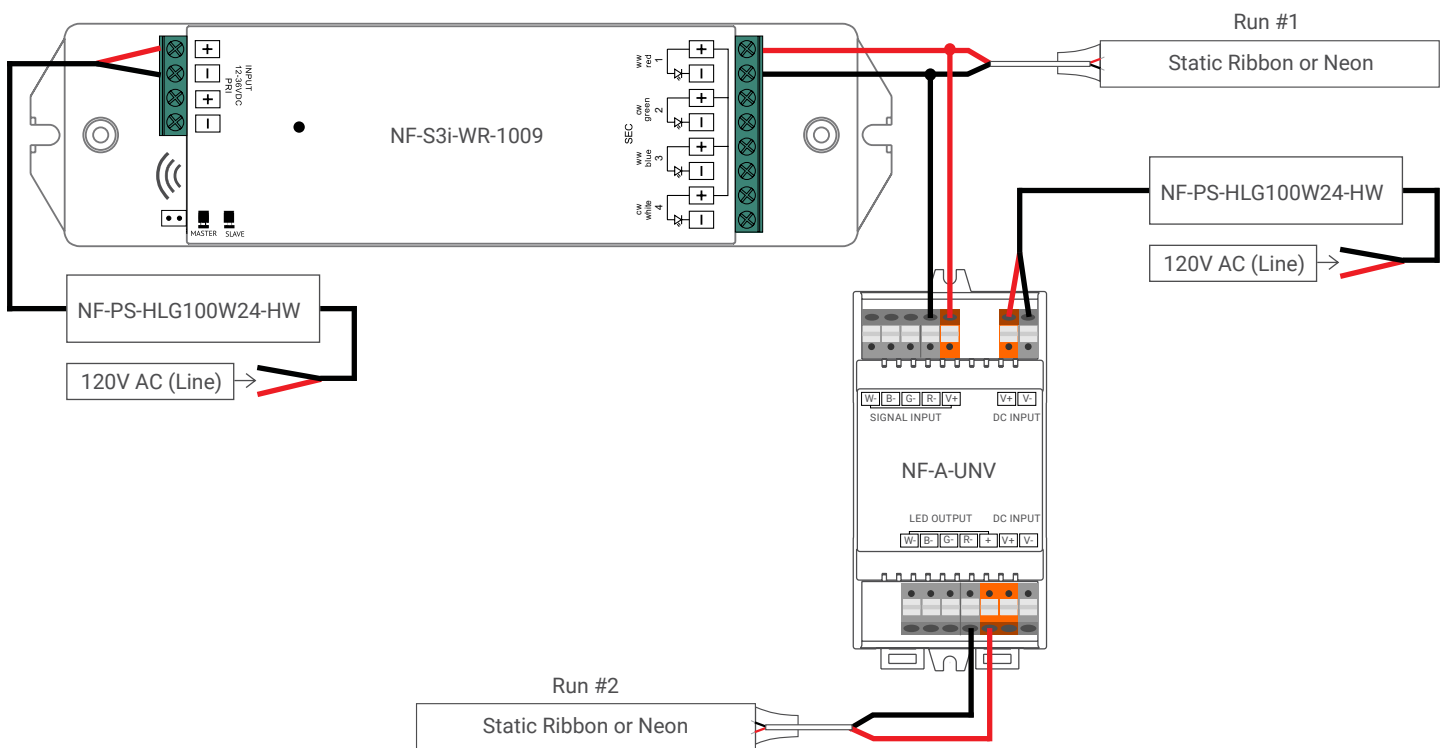
Installation



Note: Before the first use, please remove the protective film on the battery




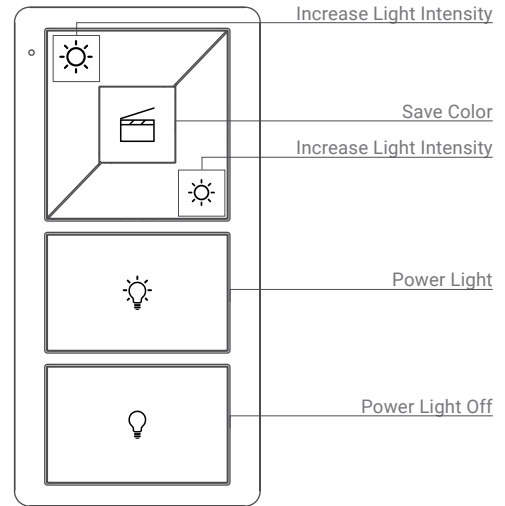
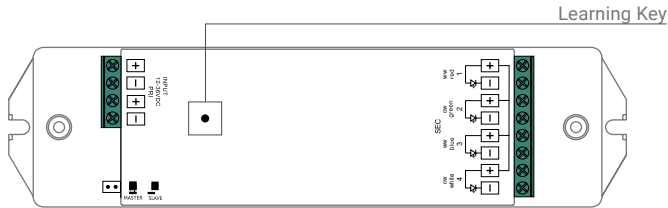
Wiring



SET-UP WALL MOUNT STATIC DIMMER

Pairing

Once NF-S3i-WR-1009 is discoverable, press the ON  button on controller (flash indicates pairing successful).

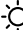



Operation

Scene – Up to (1) SCENE

Press and hold “SCENE BOARD” for 3 seconds (lights should flash when stored successfully).

Brightness

Press and hold large sun  (top left) to brighten; press and hold small sun  (top right) to dim.

FOR MORE
INFORMATION
CLICK HERE 

PROJECT SUPPORT

INSTALLATION GUIDES

WHY NOVA FLEX

RESOURCES