

# S3i CONTROLLER WALL MOUNT RGB/W DIMMER

Product Code: NF-S3i-PB-RGB/W

**NOVA** FLEX®

## Features

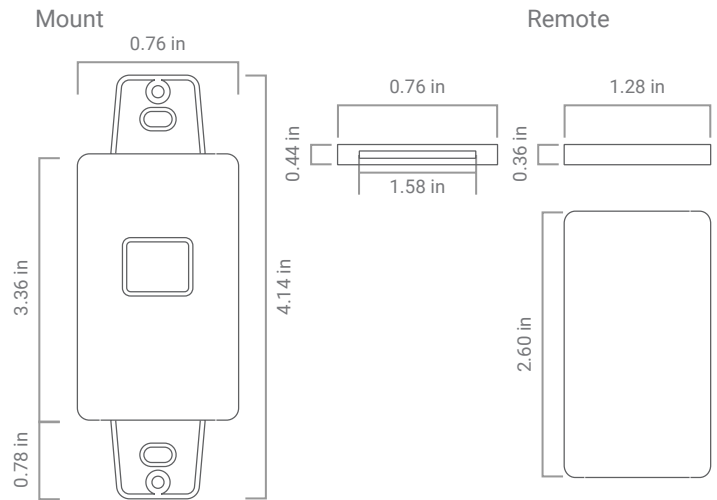
- RGBW color controller
- Controls 1 zone
- Push Button
- Smart, simple, seamless integration



## Data

Output Signal	RF Signal
Operation Frequency	916.5MHz
Power Supply	3V (CR2025 Battery)
Operating Temperature	32° - 86° F
Relative Humidity	8 - 80%
Wireless Range	50 ft

## Dimensions



# S3i WIRELESS RECEIVER

Product Code: NF-S3i-WR-1009

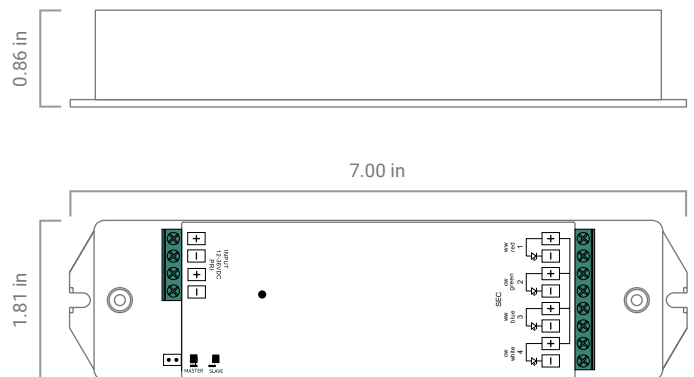
Use one receiver per zone, up to 6 zones depending on the controller selected. Pair with NF-A-UNV for large projects.



## Data

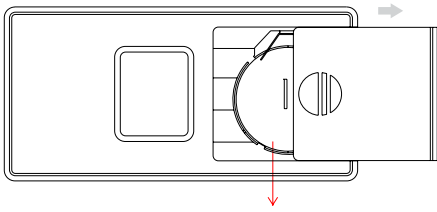
Input Voltage	12 - 36 VDC
Output Current	4 x 5 A
Output Power	240 - 720W

## Dimensions

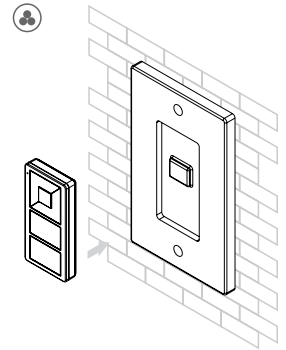
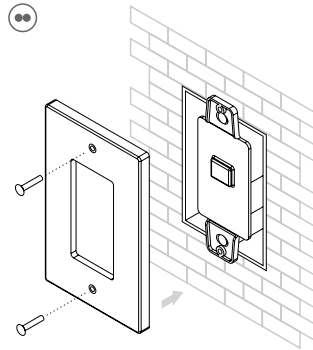
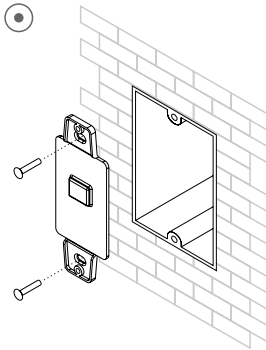


# INSTALLATION WALL MOUNT RGB/W DIMMER

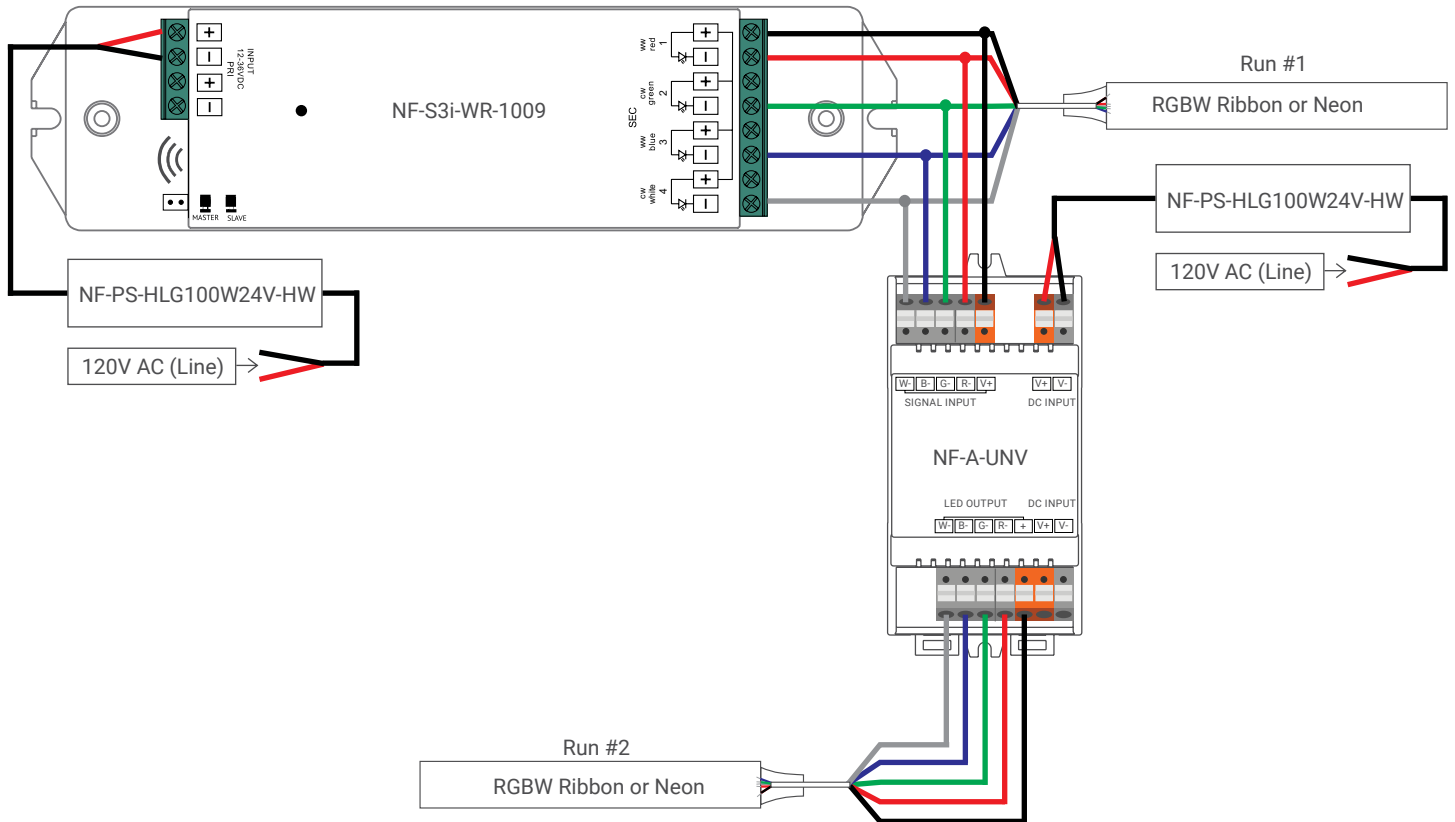
## Installation



Note: Before the first use, please remove the protective film on the battery



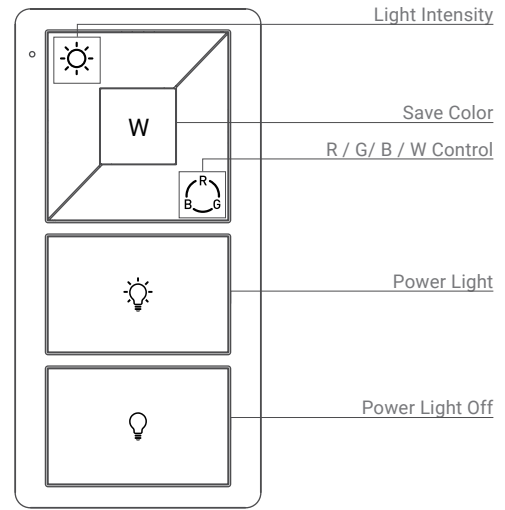
## Wiring



# SET-UP WALL MOUNT RGB/W DIMMER

## Pairing

Remove plastic battery saver within the controller to operate. Once NF-S3i-WR-1009 is discoverable, press the ON ☀️ button on controller (flash indicates pairing successful)

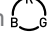



## Operation

### Controlling Zones - Up to 4 different ZONES

Scene – NO SCENES


### Color Change – RGB

Press and Hold R/G/B Cycle button  to change color (only goes one direction).

Press R/G/B Cycle  once fast to change to Preset SOLID Colors (repeat to cycle through all Preset Colors).

### Color Change – White

Press the “W” once fast to Turn ON WHITE (Press **W** once fast again to Turn OFF)

To change to solely WHITE, DOUBLE TAP R/G/B Cycle button  TWICE FAST to turn OFF colors. Then press **W** once fast to turn ON WHITE (press **W** once fast again to turn OFF)

### Brightness – RGB

Press and hold Sun ☀️ (Top Left) to adjust brightness (release button and press and hold again to go opposite direction). Also works when mixing R/G/B/W colors!

### Brightness – White

Press and hold **W** to adjust brightness (release button and press and hold again to go opposite direction). Also works when mixing R/G/B/W colors!

FOR MORE  
INFORMATION  
CLICK HERE 

PROJECT SUPPORT

INSTALLATION GUIDES

WHY NOVA FLEX

RESOURCES