

# S3i CONTROLLER ROTARY DIAL

Product Code: NF-S3i-RC-D

**NOVA** FLEX<sup>®</sup>

## Features

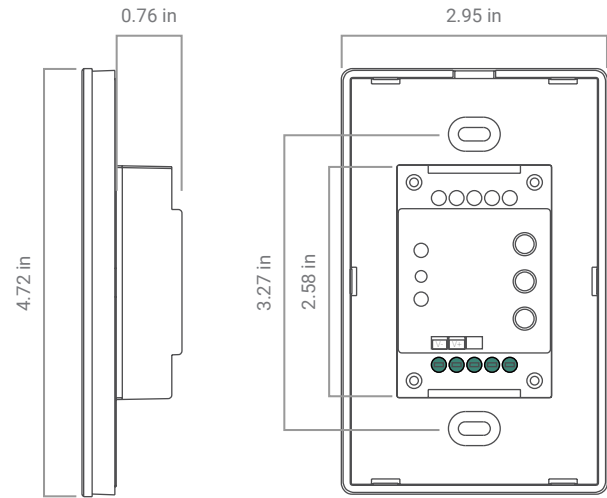
- Controls static color dimming
- Controls 1 zone
- Glass interface
- Rotation sensitive
- Fits in standard US switch box
- Smart, simple, seamless integration



## Data

Output Signal	RF Signal
Power Source	3V (CR2032) Battery (included)
Power Consumption	10 mA
Operating Temperature	32° - 104° F
Relative Humidity	8 - 80%
Wireless Range	50 ft
Dimming Range	0 - 100%

## Dimensions



# S3i WIRELESS RECEIVER

Product Code: NF-S3i-WR-1009

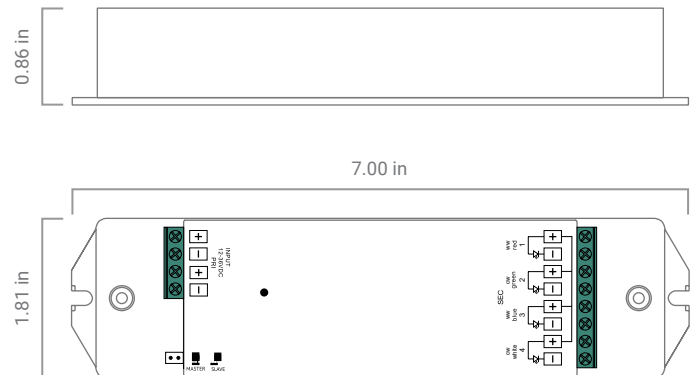
Use one receiver per zone, up to 6 zones depending on the controller selected. Pair with [NF-A-UNV](#) for large projects.



## Data

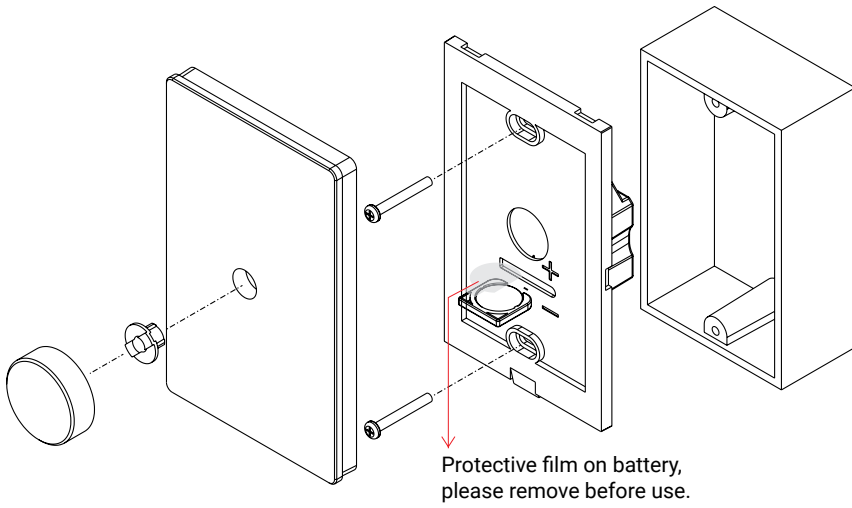
Input Voltage	12 - 36 VDC
Output Current	4 x 5 A
Output Power	240 - 720W

## Dimensions

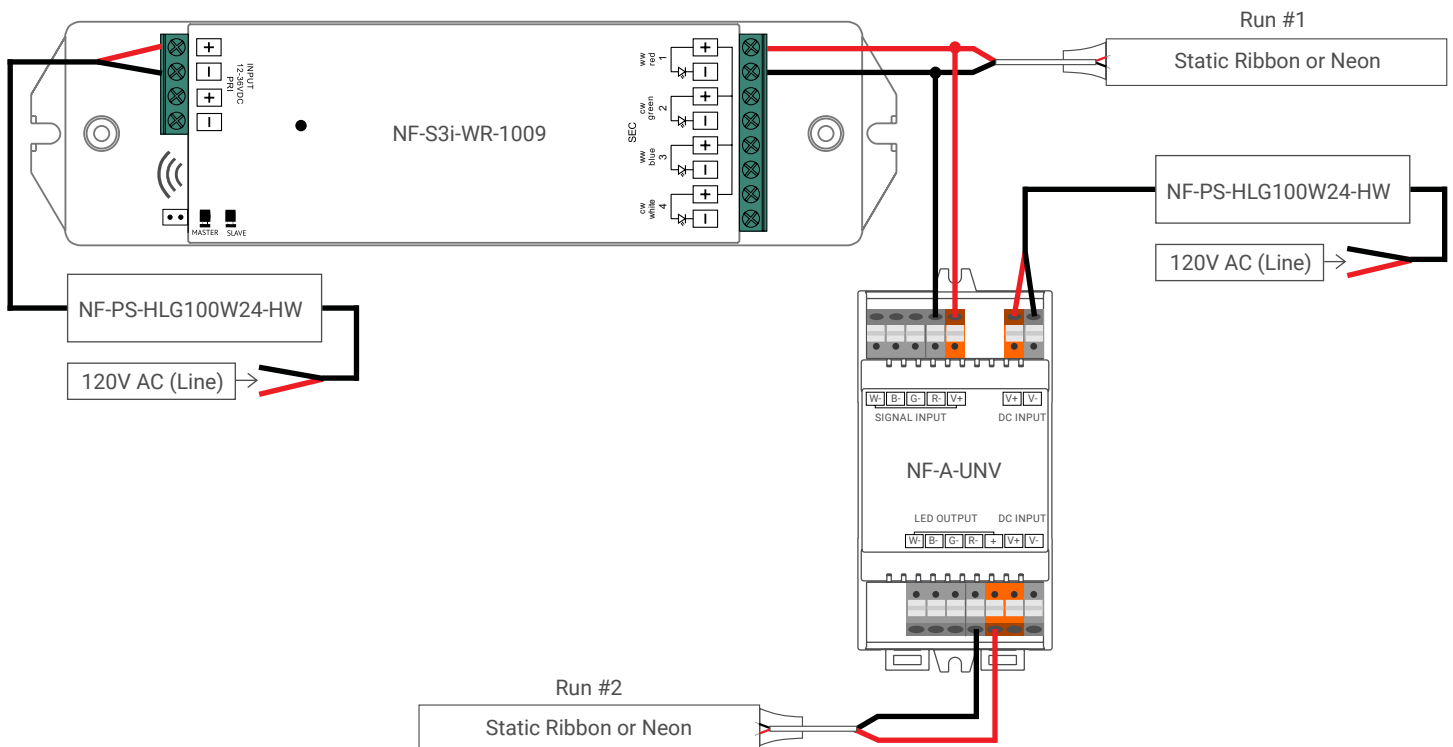


# INSTALLATION S3i ROTARY DIAL

## Installation



## Wiring Diagram



# OPERATION S3i ROTARY DIAL

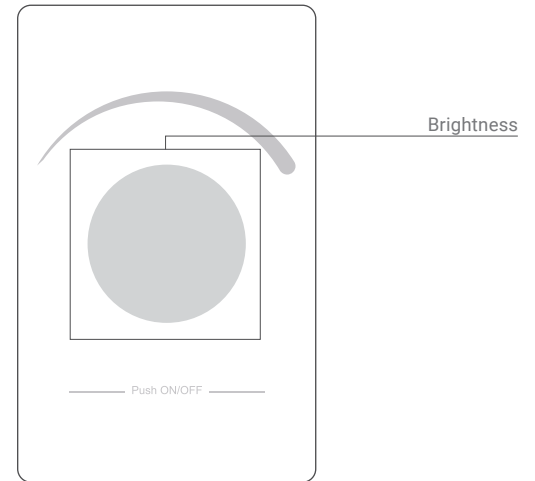
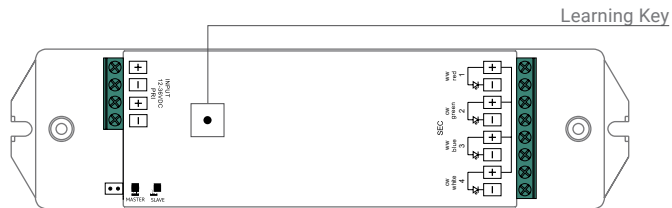
## Pairing

Remove plastic film on battery saver within the controller to operate.

Click Learning Key on the NF-S3i-WR-1009

Press the Wheel once (flash indicates pairing successful).

NOTE: The remote may be turning the lights ON or OFF when pairing. If the light turns OFF after pairing, press the Wheel once again to turn lights ON



## Operation

### On/OFF

Click the wheel to turn on, click again to turn off.

### Brightness

Turn Wheel RIGHT to BRIGHTEN, Turn Wheel LEFT to DIM

FOR MORE  
INFORMATION  
CLICK HERE

PROJECT SUPPORT

INSTALLATION GUIDES

WHY NOVA FLEX

RESOURCES