

S3i CONTROLLER RGB TOUCH PANEL

Product Code: NF-S3i-TP-RGB

NOVA FLEX®

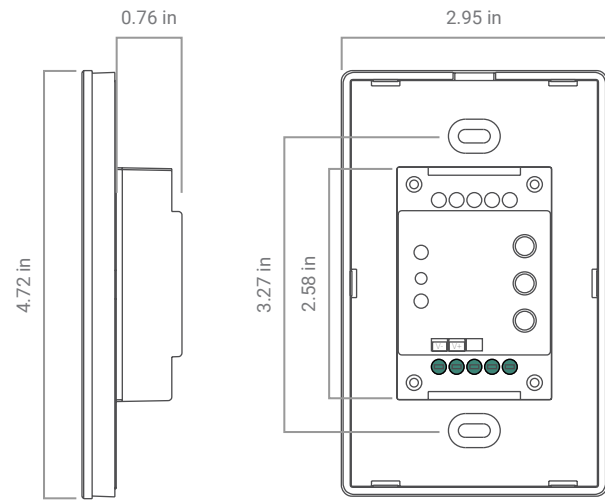
Features

- Controls RGB color
- Control 4 zones simultaneously and/or separately
- Touch sensitive glass surface
- Save 3 scenes per zone
- Fits in standard US switch box
- Smart, simple, seamless integration



Data	DC	AC
Output Signal	RF Signal	RF Signal
Power Supply	12 - 24VDC	100 - 240VAC
Power Consumption	200 mA	15 mA
Operating Temperature	32° - 104° F	32° - 104° F
Relative Humidity	8 - 80%	8 - 80%
Wireless Range	50 ft	50 ft

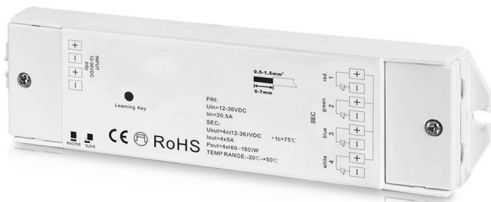
Dimensions



S3i WIRELESS RECEIVER

Product Code: NF-S3i-WR-1009

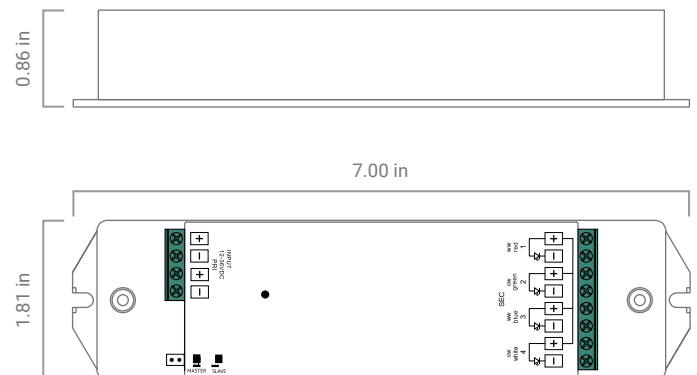
Use one receiver per zone, up to 6 zones. Pair with [NF-A-UNV](#) for large projects.



Data

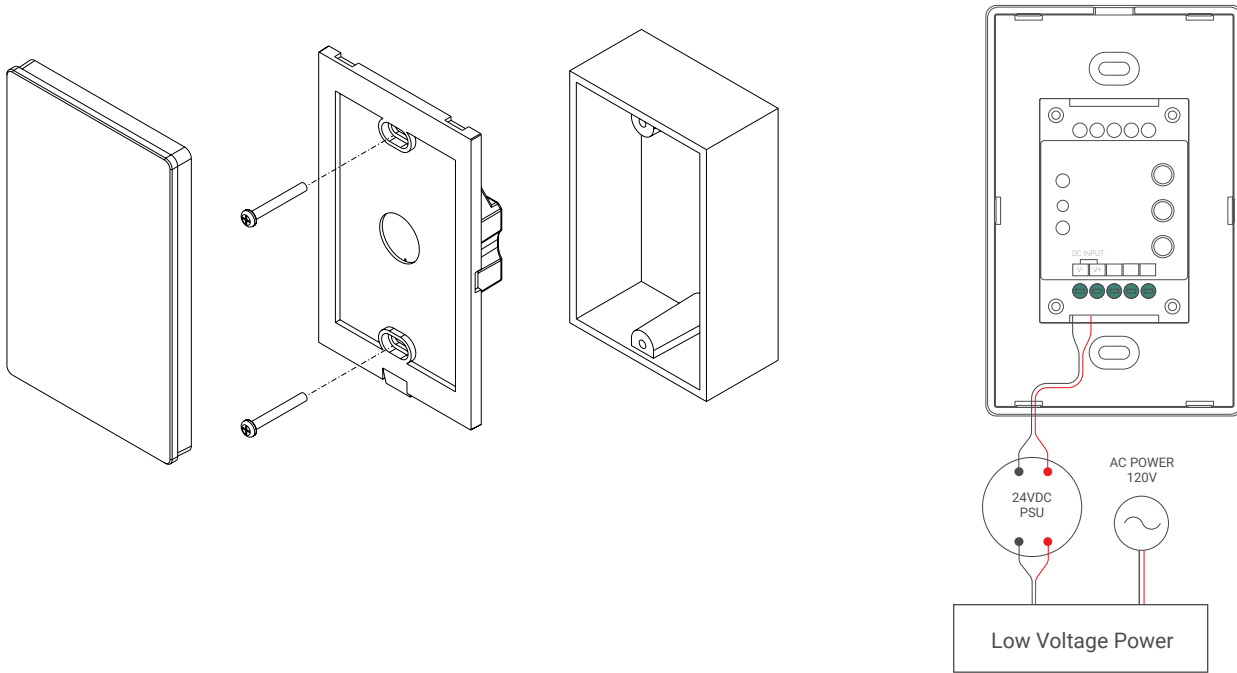
Input Voltage	12 - 36 VDC
Output Current	4 x 5 A
Output Power	240 - 720W

Dimensions

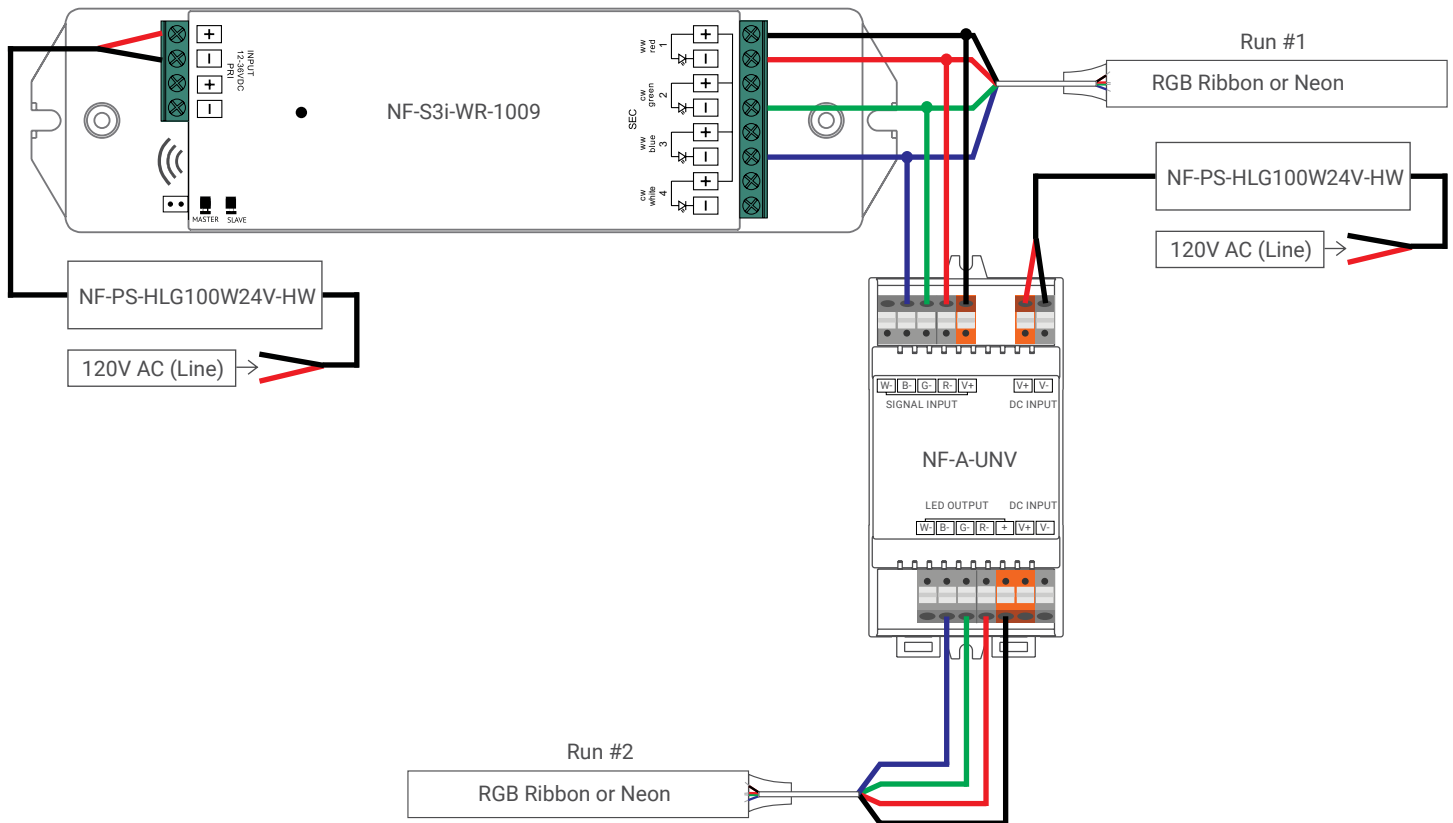


INSTALLATION S3i RGB TOUCH PANEL

Installation



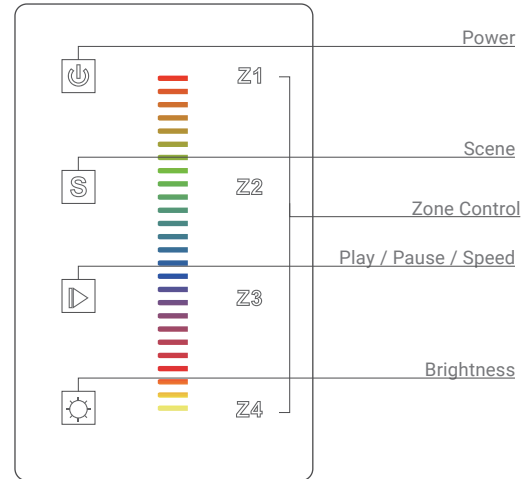
Wiring Diagram



SET-UP S3i RGB TOUCH PANEL

Pairing

Turn on the touch panel (indicator light will turn BLUE).
Click the Learning Key on the NF-S3i-WR-1009
Select your "ZONE" (# Z1-Z4) then play with color panel



Operation

Controlling Zones - Up to 4 different ZONES

Refer to "Pair" above to pair different zones. Once zone is paired, select the "ZONE" you'd like to control. Control how you'd like.

Can control MULTIPLE ZONES at once (BLUE indicator dot will illuminate when Selected).

Select ALL ZONES that you'd like to control. Then control how you'd like.

To get OFF this mode, simply move your finger on the color panel once and then select a specified ZONE you'd like to control.

Turn ON/OFF 1 Zone

Press and hold ZONE number you'd like to turn ON/OFF (BLUE = ON; GOLD = OFF).

Turn ON/OFF ALL Zones

Press the "Power" button (power symbol) (BLUE = ON ; GOLD = OFF)

Setting Scenes – Up to 1 SCENE total

Select your color you would like to save as a scene. Press and hold "S" for 3 Seconds (lights should flash when stored successfully).

To change multiple zones to the same scene simultaneously, select ALL ZONES in continuous form that you'd like to control (lights by ZONE will turn BLUE). Then press S once.

Preset Scene – (Play/Pause)

Press the "Play/Pause" button (play symbol) on the LEFT hand side of the Touch Panel. (Play/Pause function – Pressing this button twice will result in a PAUSE. –I.E. To get to Preset Scene "4", Press the "Play/Pause" button (7) times to PLAY Preset Scene "4" (Play(1)-Pause(1)-Play(2)-Pause(2)-Play(3)-Pause(3)-Play(4))

Speed of Preset Scene

Once the preferred Preset Scene is selected, press and hold the "Play/Pause" button for 2 Seconds ("Play/Pause" button on the Touch Panel will blink twice (BLUE) indicating it has entered SPEED MODE) DO NOT REMOVE YOUR FINGER WHILE CONTINUING TO HOLD IT DOWN until you get to the preferred SPEED (release button and press and hold again to go opposite direction).

Color Change

Select the ZONE(s) you'd like to control. Adjust Color Panel

Brightness

Select the ZONE(s) you'd like to control. Press and hold sun (sun symbol) (Bottom Left) to adjust brightness (release button and press and hold again to go opposite direction).

FOR MORE
INFORMATION
CLICK HERE

PROJECT SUPPORT

INSTALLATION GUIDES

WHY NOVA FLEX

RESOURCES