

ATTENTION: This product should be installed by a professional, licensed electrician.

WATCH INSTALL VIDEO

1. TURN POWER OFF AT CIRCUIT BREAKER

SHOCK HAZARD! Turn power OFF at circuit breaker prior to installation, to avoid serious injury or death.

2. ORGANIZE THE AREA

It's best to lay out and organize all of the products from the beginning so you can easily be sure you are wiring correctly.

3. CONNECT THE SYSTEM

A. Wire the first run of LEDs to the output side of the Wireless Receiver and connect a bridge wire at the same time, matching the wires to the corresponding terminals.

See wiring diagram.

B. Connect the bridge wire from the receiver output side to the input side of the first amplifier with an additional bridge wire.

C. Connect the second and third run of LEDs to the output side of the first and second amplifier.

D. Repeat steps A - C as needed for additional amplifiers or runs of ribbon for your first receiver.

E. Repeat step A - D for additional receivers and runs of ribbon after your first receiver

F. Attach power to all receivers and amplifiers.

Note: ALL receivers and amplifiers should be connected to a power supply.

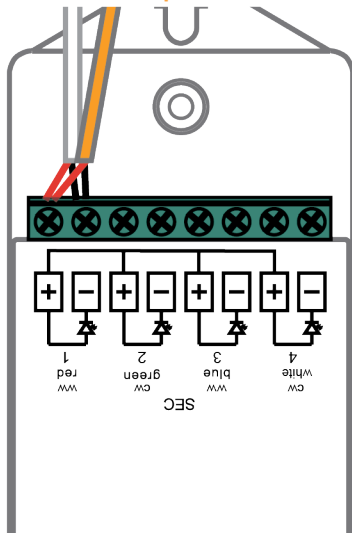
12. TURN POWER ON AT CIRCUIT BREAKER

Once your ribbon or neon is connected, turn the power on at the circuit breaker.

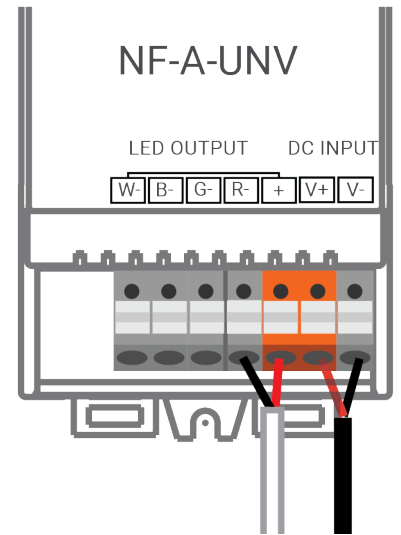
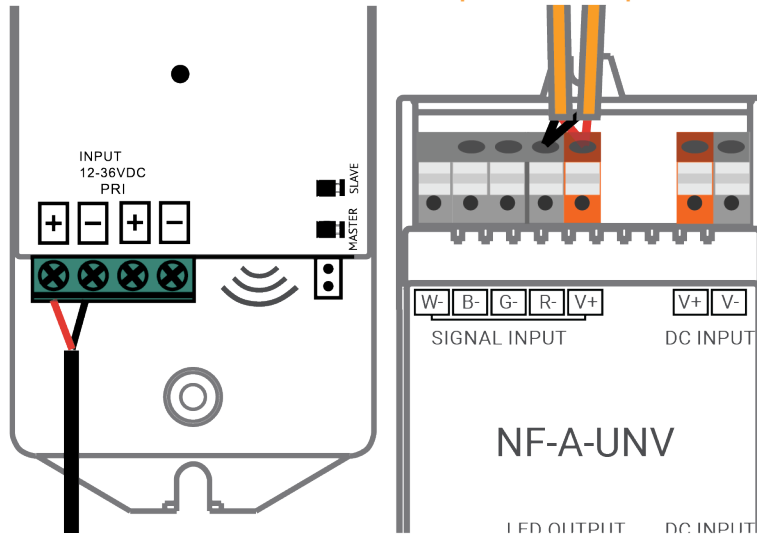
Watch the installation video here. 

Complete Wiring Diagram on Next Page 

1009 Close-up



Amplifier Close-up



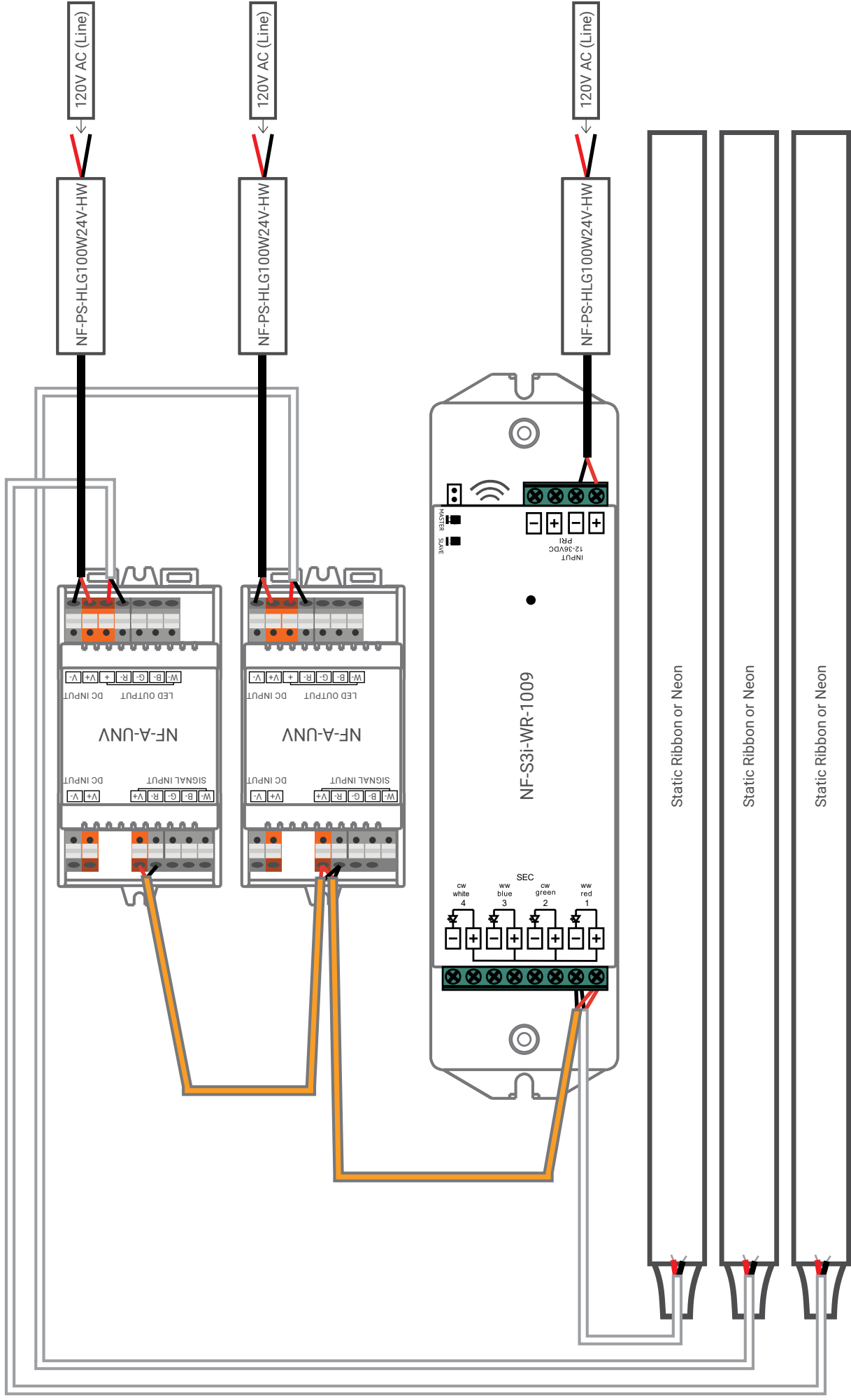
NOVA FLEX LED, INC. WARNINGS AND WAIVER

- Any installation of this product should be completed by a professional licensed electrician pursuant to all applicable governing laws, ordinances, regulations, national and local electrical and building codes.
- This is an electronic product which is susceptible to damage if handled incorrectly. Improper soldering or modification may result in a voided warranty. Warranty cases will be made at Nova Flex's discretion based on multiple factors.
- Do not allow product to be punctured or penetrated by foreign objects; this can result in a short circuit.
- Do not connect product directly to a 120 volt AC power source.
- For best performance, do not load the DC power source more than 80% of its labeled rating.
- Any use of this product is entirely at your own risk. Failure to utilize and install this product in its proper manner could result in severe injury and/or property damage.
- Keep out of reach of children.

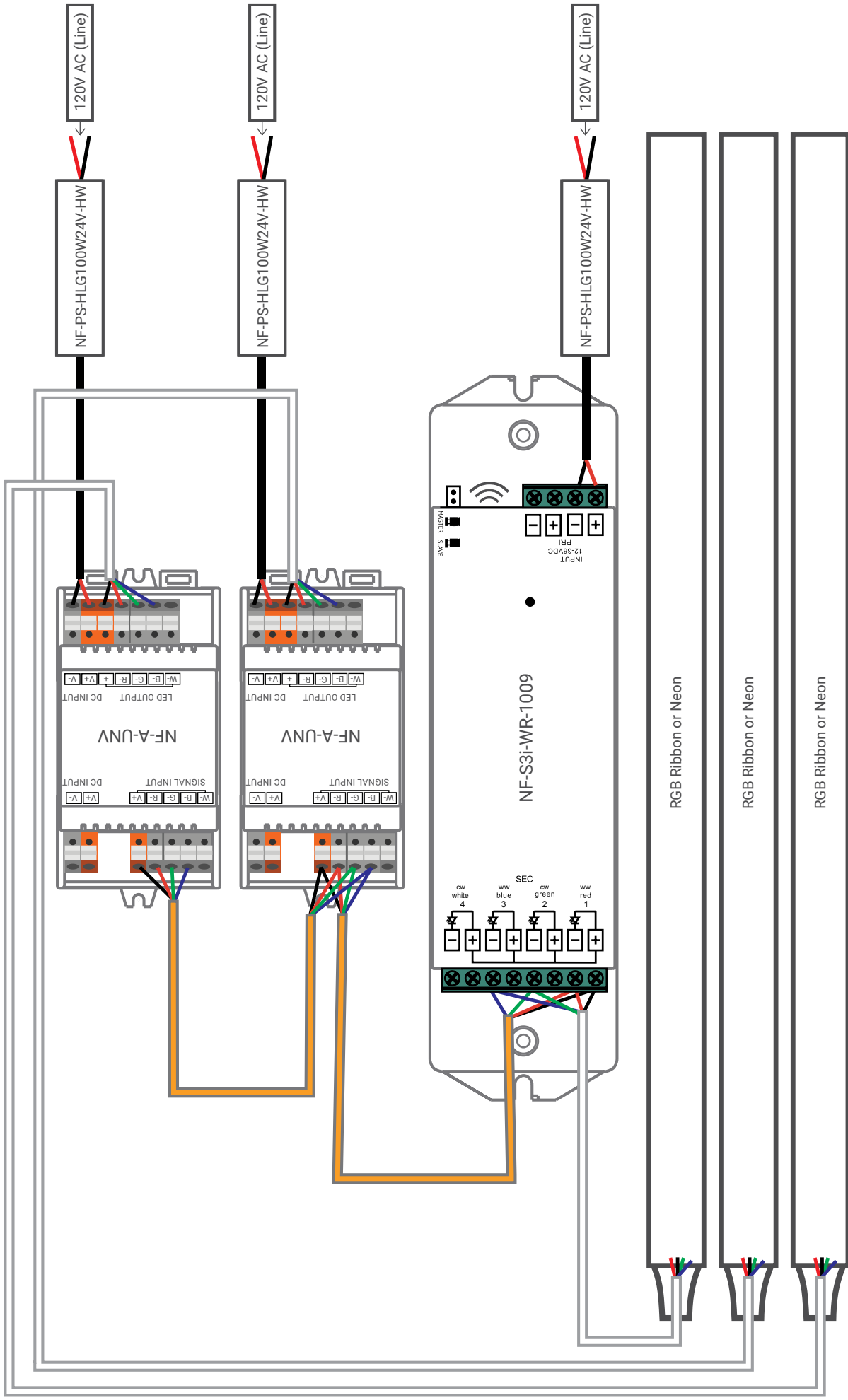
This product is provided by the manufacturer "as is" "with all faults" without any warranties or representations, express or implied, including, but not limited to the warranties of merchantability or fitness for a particular purpose. In no event shall manufacturer be liable for any special, incidental, punitive indirect or consequential damages of any kind. Manufacturer offers this product and the user accepts it subject to the foregoing conditions, which may only be modified in a writing signed by the manufacturer.

See complete Terms & Conditions at novaflexled.com

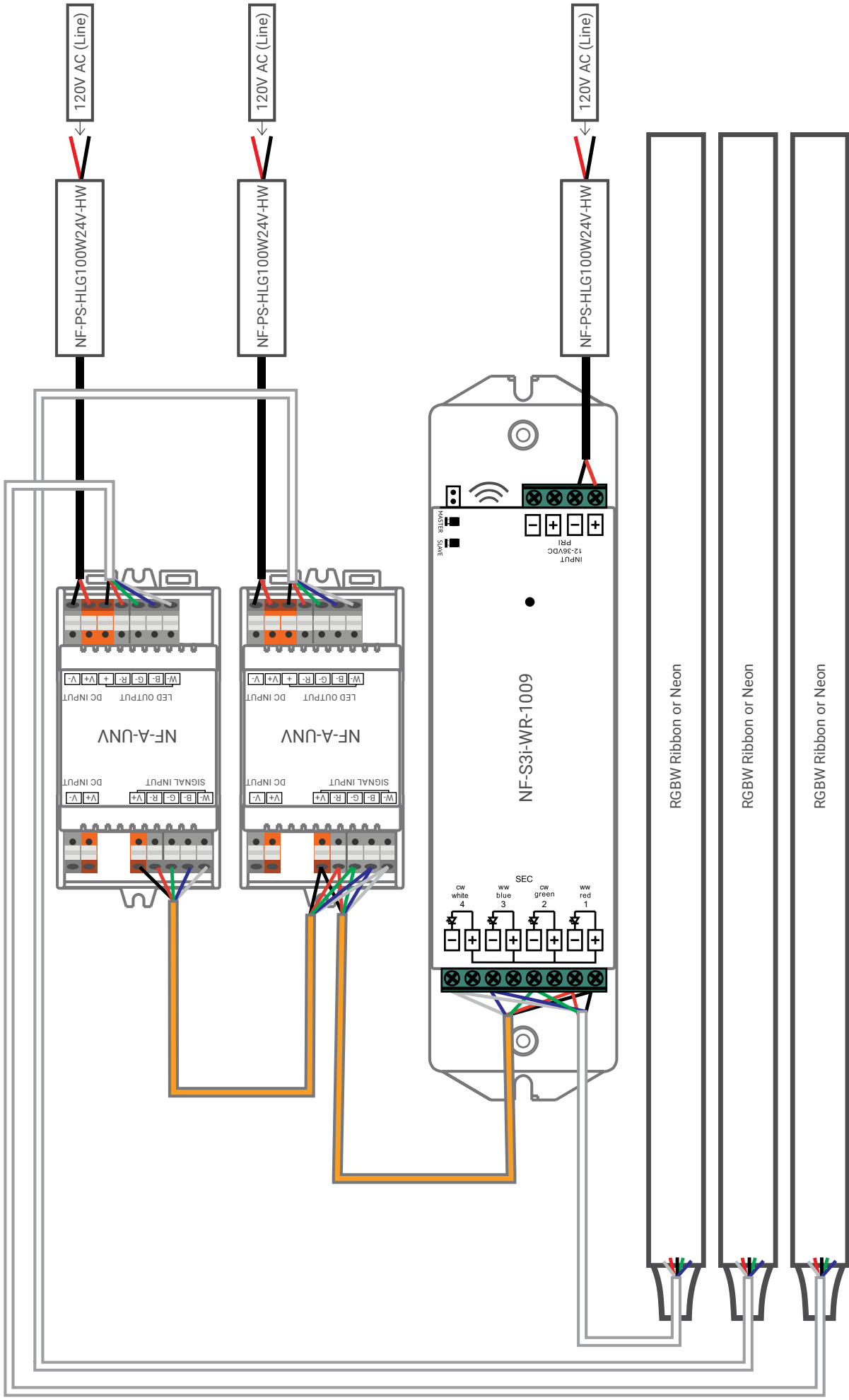
STATIC WIRING UNIVERSAL AMPLIFIER



RGB WIRING UNIVERSAL AMPLIFIER



RGBW WIRING UNIVERSAL AMPLIFIER



ADJUSTABLE WIRING UNIVERSAL AMPLIFIER

