

# PLUG & PLAY WALL MOUNT

NOVA FLEX®

Product Code	Wattage	Input Current	Output Current
NF-PS-12W-24V-WM	12W	0.5A	12V
NF-PS-24W-24V-WM	24W	0.25A	24V



## Electrical

Output Voltage	24V DC
Input Voltage	100 - 240V AC
Efficiency	87%

## Protection From

Over Current	Yes
Short Circuit	Yes

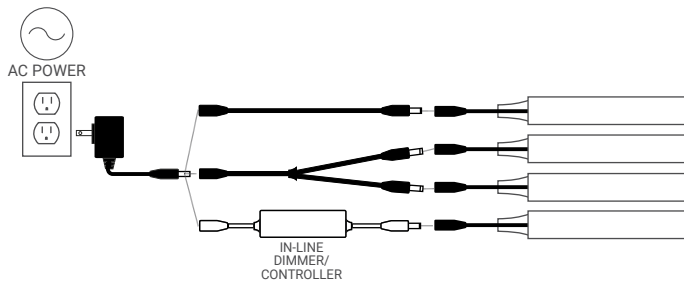
## Performance

THD	< 20%
Expected Life Time	2 years

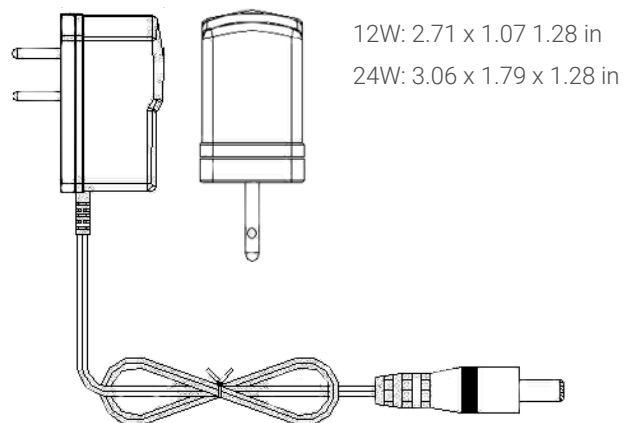
## Physical

Operating Temperature	0° - 140° F (-0° C - 40° C)
Certifications	UL E345214, Class 2
Warranty	2 - 5 years (based on warranty of ribbon/neon purchased)

## Wiring Diagram



## Dimensions



FOR MORE  
INFORMATION  
CLICK HERE

PROJECT SUPPORT

INSTALLATION GUIDES

WHY NOVA FLEX

RESOURCES