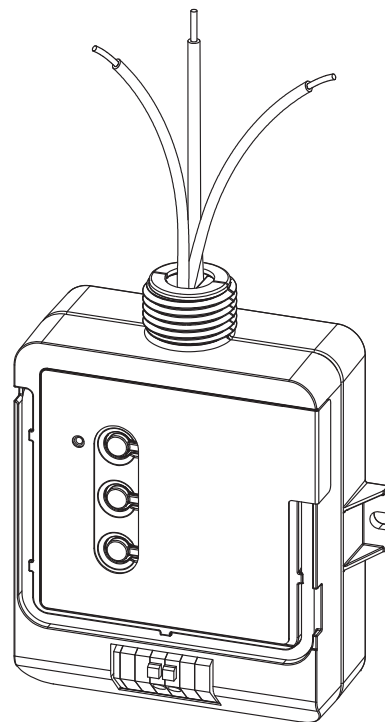


RF Dimming Module with 0–10 V_{DC} Control **NOVA FLEX**

Compatible with RA2 Select, RadioRA 2, and HomeWorks systems

The RF dimming module with 0–10 V_{DC} control is a radio frequency (RF) control that operates 0–10 V_{DC} controlled fluorescent ballasts or LED drivers based on input from RA2 Select, RadioRA 2, and HomeWorks systems.

- 0–10 V_{DC} control link automatically sources or sinks up to 60 mA to third-party fixtures.
- Switches line voltage up to 5 A.
- Configurable high- and low-end trim.
- Various operating voltages available — refer to **Models** chart below for details on voltage requirements.
- Utilizes Lutron Clear Connect RF technology— refer to **Models** chart below for frequency band data and Lutron system compatibility.
- RadioRA 2 Inclusive or HomeWorks software required for system functionality.
- Mounts to an electrical junction box through a 1/2 in (21 mm) knockout opening.
- Complies with requirements for use in a compartment handling environmental air (plenum) per NEC® 2011 300.22(C)(3) (LMJ- model only).



NF-POWPAK-LMJ-5T-DV-B

Models

Model Number	Region	Operating Voltage	Frequency Band	Compatible Systems
LMJ-5T-DV-B	U.S.A., Canada, Mexico	120/277 V~	434 MHz	RA2 Select, RadioRA 2, HomeWorks
LMK-5T-DV-B	Europe, U.A.E.	220–240 V~	868 MHz	
LMM-5T-DV-B	China		868 MHz Limited	
LMN-5T-DV-B	India		865 MHz	
LMQ-5T-DV-B	Hong Kong, Israel		434 MHz Limited	

NOTE: Contact Lutron for frequency band compatibility for your geographic region if it is not indicated above.

RF Dimming Module with 0–10 V_{DC} Control

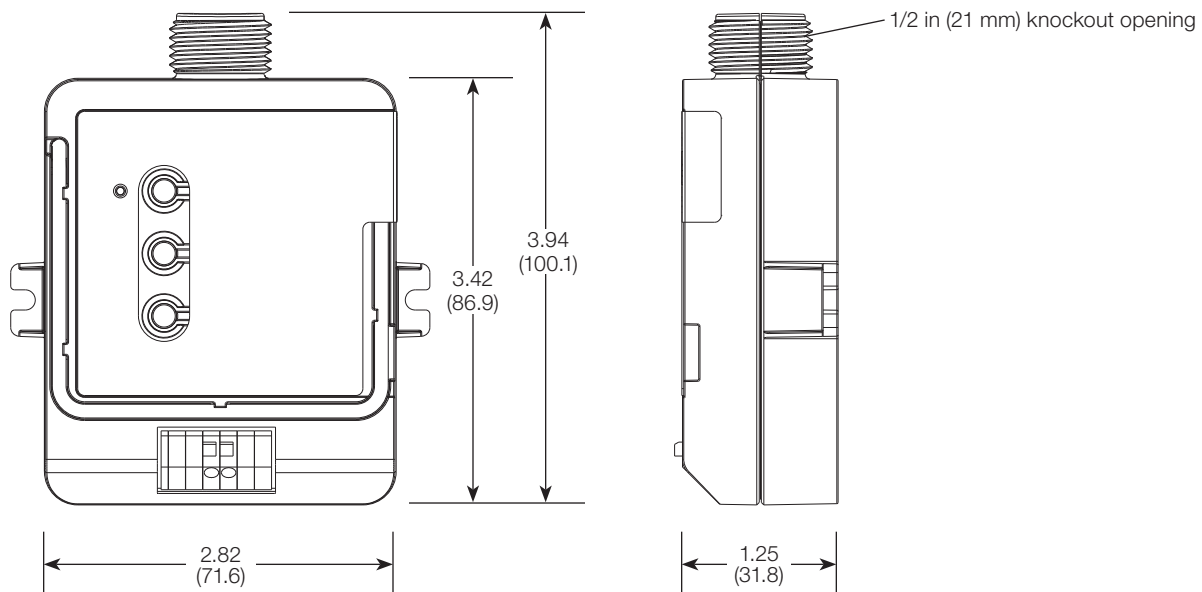
Specification

Power	120/277 V _{AC} 50/60 Hz 5 A (LMJ- model) 220–240 V _{AC} 50/60 Hz 5 A (LMK-, LMM-, LMN-, LMQ- models)
Typical Power Consumption	< 1.0 W Typical power test conditions: all loads off
Regulatory Approvals	UL [®] , UL 2043 Plenum Rated, FCC Approved. Complies with the limits for a Class B device, pursuant to Part 15 of the FCC rules: CSA, IC, NOM, ANATEL (LMJ- model) CE, TRA, CITC (LMK- model) WPC (LMN- model)
Environment	Ambient operating temperature: 32 °F to 104 °F (0 °C to 40 °C) Ambient operating humidity: 0% to 90% humidity, non-condensing. Indoor use only.
Communications	Operates using Clear Connect RF technology for reliable wireless communication; refer to model number chart on page 1 for frequency band details. RF range is 30 ft (9 m) from repeaters. Contact Lutron for applications using foil-backed or metallic ceiling tiles.
Load	0–10 V _{DC} Control Link Maximum Load: 60 mA, source or sink automatically configures. Control link compatible with ANSI E1.3 2001 (R2006), IEC 60929 Annex E. Switched Maximum Load: 5 A lighting. No minimum load requirements. Load types include, but are not limited to: MLV, ELV, Incandescent, Magnetic fluorescent, Electronic fluorescent and LEDs.
Surge Protection	Tested to withstand surge voltages without damage or loss of operation, in accordance with IEEE C62.41-1991 Recommended Practice on Surge Voltages in Low-Voltage AC Power Circuits.
Mounting	Mounts to an electrical junction box through a 1/2 in (21 mm) knockout opening.
Warranty	www.lutron.com/TechnicalDocumentLibrary/Warranty.pdf www.lutron.com/TechnicalDocumentLibrary/Intl_Warranty.pdf

RF Dimming Module with 0–10 V_{DC} Control

Dimensions

Dimensions are shown as: in (mm)



Dimensions for all models. Model LMJ-5T-DV-B shown.

RF Dimming Module with 0–10 V_{DC} Control

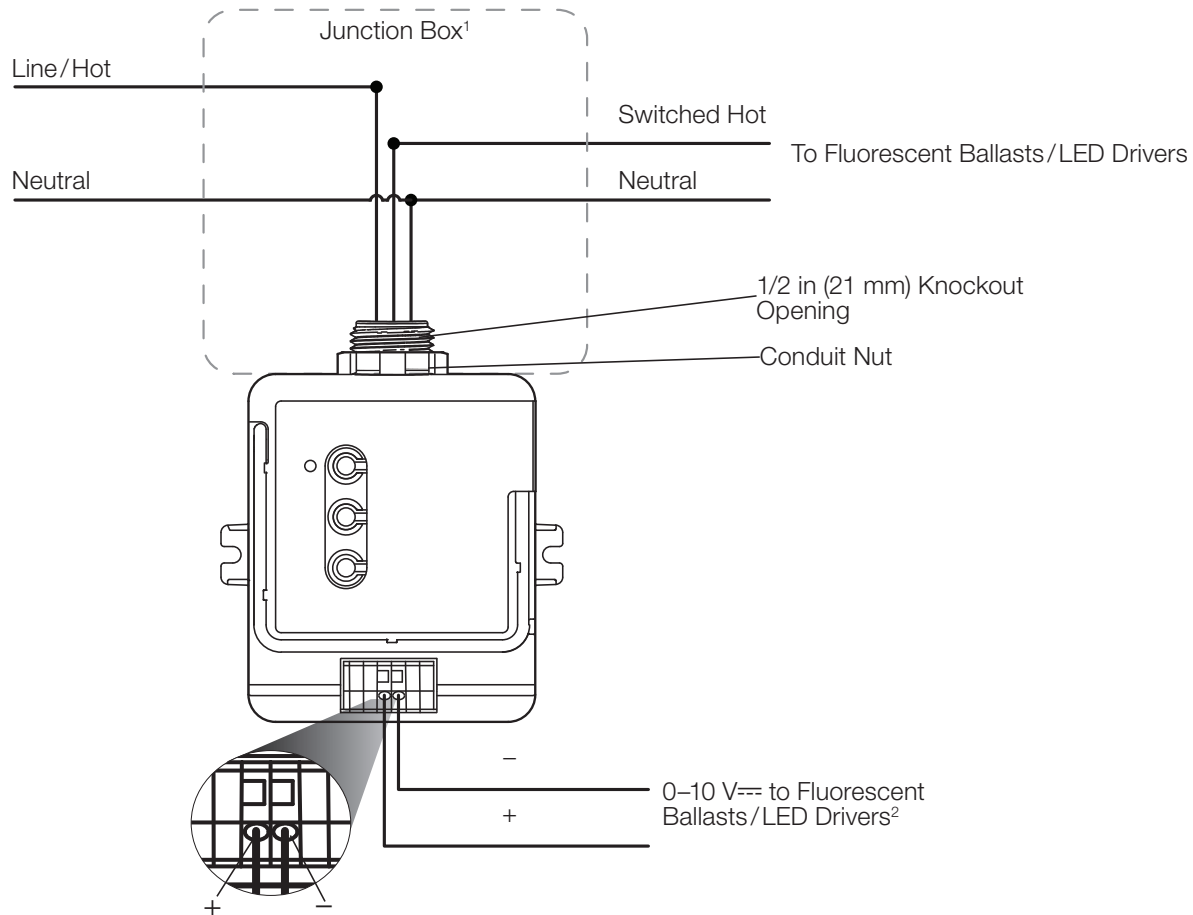
Wiring Schematics

LMJ- and LMQ- models:

Use the supplied conduit nut and wire the module as shown.

120/277 V_~ 50/60 Hz (LMJ- model)

220–240 V_~ 50/60 Hz (LMQ- model)



¹ Some applications (in the U.S.A.) require the RF module to be installed inside an additional junction box. For information about how to perform this installation see Application Note #423 (P/N 048423) at www.lutron.com
Please consult all local and national electric codes for proper installation methods.

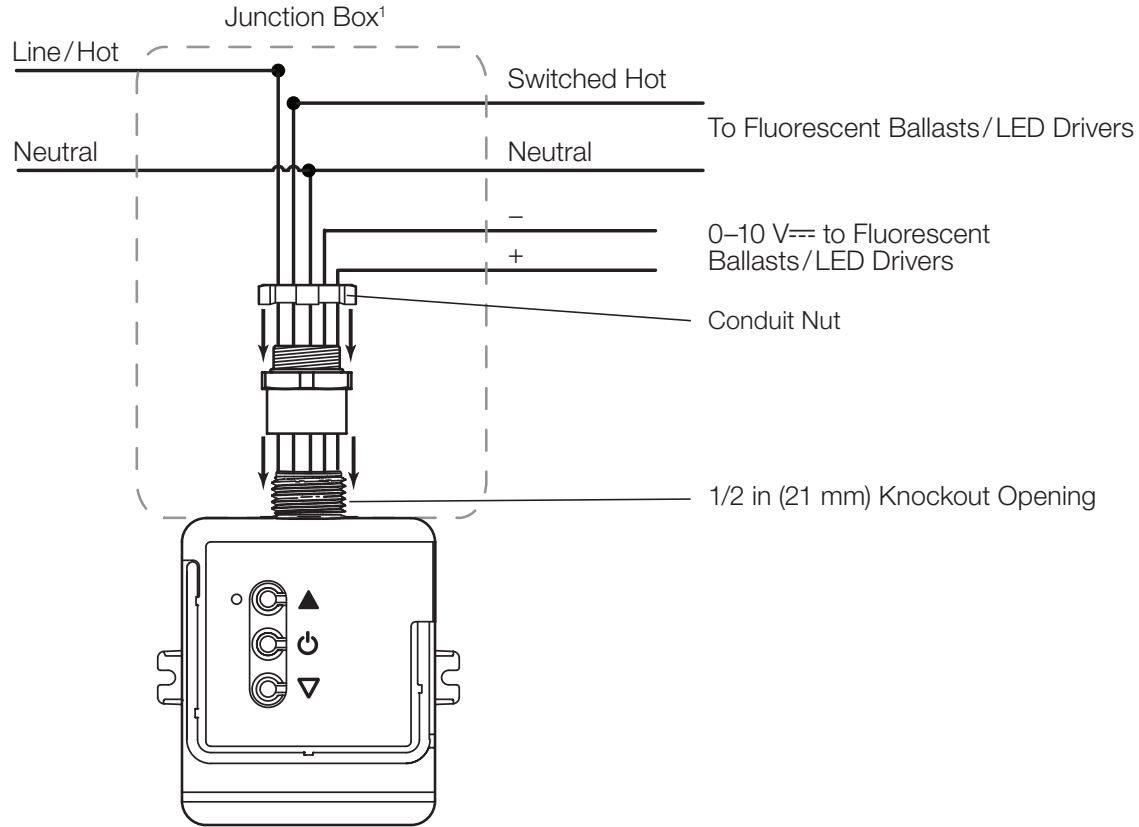
² Use 18 AWG to 16 AWG (0.75 mm² to 1.5 mm²) solid wire only

RF Dimming Module with 0–10 V_{DC} Control

Wiring Schematics (continued)

LMK-, LMM-, and LMN- models:

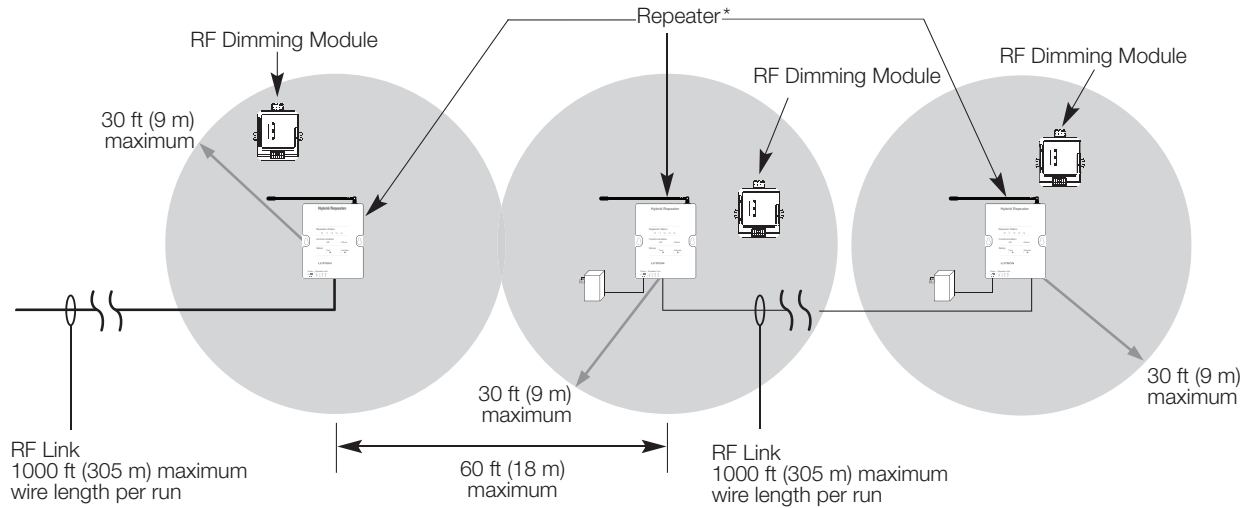
220–240 V_~ 50/60 Hz



¹ RF module can be installed in a junction box or marshalling box. Please consult all local and national electric codes for proper installation methods.

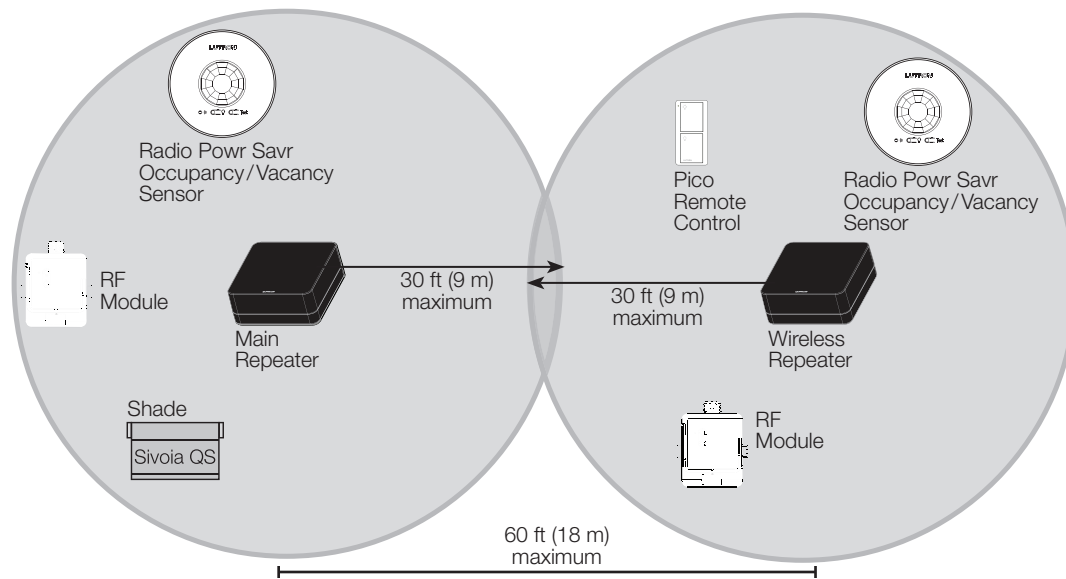
RF Dimming Module with 0–10 V_{DC} Control Communications

Wired and RF Configuration (RadioRA 2 and HomeWorks)



* In HomeWorks systems, use Hybrid Repeaters for range extension. In RadioRA 2, the repeater shown may be either a main repeater (1 required) or auxiliary repeater (up to 4 permitted).

RA2 Select RF Range



All devices must be located within 30 ft (9 m) of a repeater. The range can be extended with up to 4 Lutron wireless repeaters (Lx-REPPRO).

Lutron, Clear Connect, HomeWorks, RA2 Select, Pico, Radio Powr Savr, Sivoia, RadioRA, and RadioRA 2 are trademarks or registered trademarks of Lutron Electronics Co., Inc. in the US and/or other countries.
All other product names, logos, and brands are property of their respective owners.